



QX-1100

A revolution in traysealing performance

Innovation
Commitment

Knowledge

Experience
Quality

Precision

Performance

Ishida - where else would you look for the world's most innovative traysealer?

- An outstanding record in advanced, ultra-reliable packing machinery
- World-leader in multihead weighing technology
- The world's largest manufacturer of load cells for the packaging industry
- Over 60,000 weighing and packaging machines installed worldwide
- Continuous innovation with over 2000 patents



QX-1100



Ishida Europe has launched the new generation of its market-leading QX-1100 tray sealer combined with a brand new concept for the market. The new range offers both single lane and high capacity twin lane models along with the new split dual lane machine which has the capability to operate two independent lanes at different speeds, enabling companies to run two separate tray sizes, pack weights or products at the same time in one machine footprint.

The total solution

The QX-1100 forms a central part of Ishida's tray packing line solutions including:

- Tray denesters
- Multihead weighers
- Distribution systems
- X-ray
- Checkweighers
- Seal testers
- Label inspection
- End-of-line packing systems
- Total project management

The latest in hygienic design

The QX-1100 open design allows easy access for cleaning and maintenance. In particular, self-draining curved surfaces, the absence of exposed cables or motors and easy-to-remove belts and conveyors allow a fast and comprehensive washdown. Quick-release features along with automated tool changing minimise the time required for product changeovers.

Changeovers and washdown can be achieved quickly and safely without the use of hand tools to minimise product contamination and provide a more productive experience for the operator.

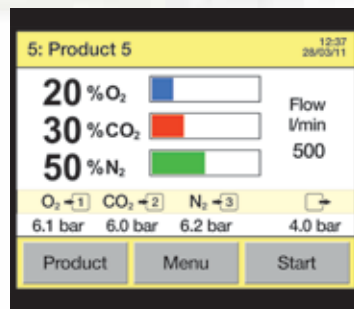
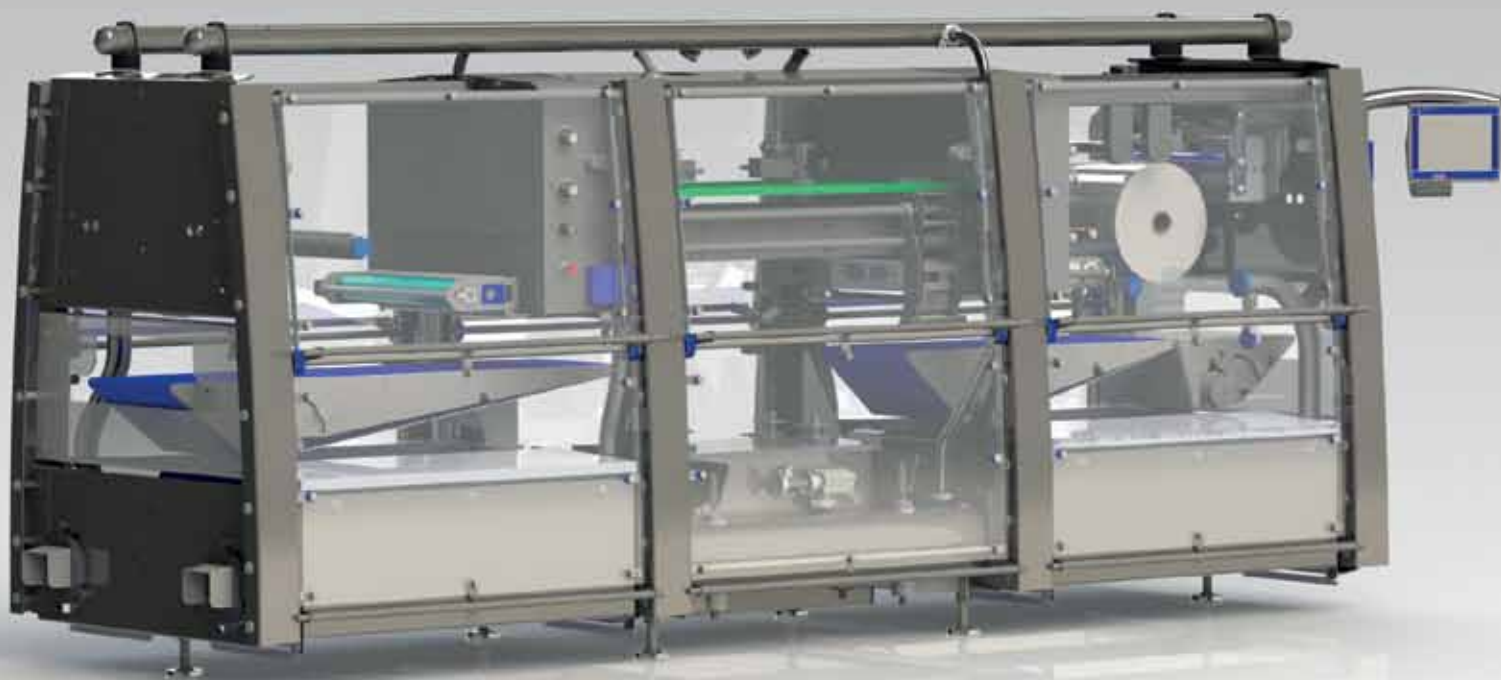
Increasing flexibility and uptime

Each sealing tool can be designed to suit any application and offers the highest quality pack presentation to suit demanding market requirements. The machine can disable a sealing head in the event of a knife or heater issue. This allows the traysealer to continue running and automatically adjusts the tray feed to suit. The smart belt system will alert operators to out-of-spec packs or misplaced products or trays, enabling corrective action to be taken with no damage to product or sealing tool.

Delivering high speeds and best pack presentation

The intelligent machine control includes auto set features along with complete servo driven motions for accurate and consistent tray handling at high speeds up to 15 cycles per minute (with MAP*) to maximise product throughput. A servo controlled film drive ensures smooth handling of the film and accurate printing for integrated coding systems, while a maximum film reel diameter of 450mm – nearly double the standard reel – delivers longer production runs.

(*Modified Atmosphere Packaging)



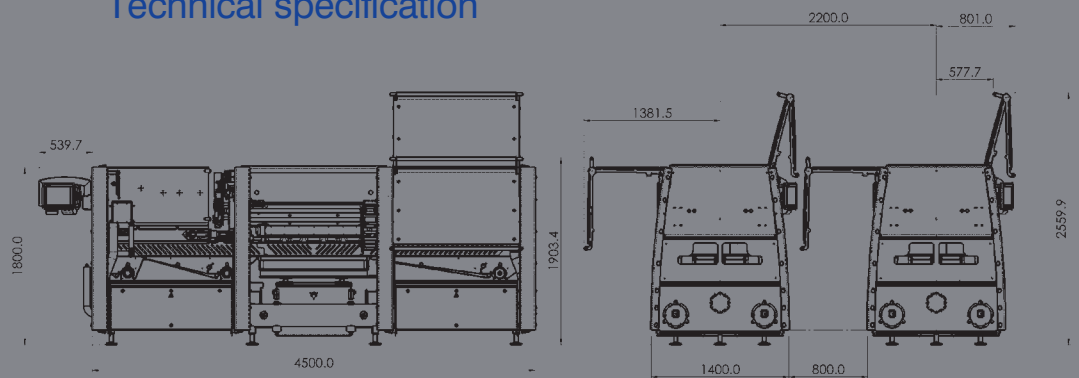
Rapid changeovers and washdown

The machine is designed with quick and easy changeovers in mind. Operators can easily change films and sealing tools using automatic and quick release features. A quick and comprehensive washdown is achieved through the quick release conveyors and self draining design. This is particularly useful and efficient for split dual lane applications where product range and production volume fluctuate.

Integrated gas mixing, analysing and coding

An integrated gas mixing system creates MAP packs, while a gas analyser within the tool samples the gas at every cycle and automatically stops the system if the wrong mix is detected. The servo-controlled film drive ensures smooth handling of the film and accurate printing for integrated coding systems ensuring excellent pack presentation.

Technical specification



High returns on floorspace

Through the compact design, speed of changeovers and high capacity of the single and twin lane machines an excellent return on floorspace is ensured. The split dual lane machine goes further and offers up to 50% saving on floorspace when compared to 2 single lane machines.



Flexible by design

Using a combination of a smart interface, the latest servo technology and clever mechanical design, the QX-1100 can be optimised to suit all product types, trays and film materials.

Specifications	QX1100-SL Single Lane		QX1100-TL Twin Lane		QX1100-SDL Split Dual Lane	
Minimum tray size	120mm		120mm		120mm	
Maximum tray width	Outside cut, inside cut and shrink films	400mm	Outside cut, inside cut and shrink films	220mm	Outside cut, inside cut and shrink films	195mm
	Skinpack	250mm	Skinpack	195mm	Skinpack	170mm
Maximum tray height	130mm		130mm		130mm	
Number of impressions per tool	From 1 to 7		From 2 to 14		From 1 to 7 per lane	
Maximum cycle speed with MAP	15 cycles per minute		15 cycles per minute		15 cycles per minute	
Maximum film reel diameter	400mm		400mm		450mm per lane	
Machine weight (without tool)	2000 kg		2000 kg		2000 kg	
Supply Voltage	415V 3 Phase+N+E, 25KVA		415V 3 Phase+N+E, 25KVA		415V 3 Phase+N+E, 25KVA per lane	
Air supply	25nL/MIN @ 7 bar		25nL/MIN @ 7 bar		25nL/MIN @ 7 bar per lane	

Working with you every step of the way

Our extensive R&D investment is directed at meeting the challenges of the fast-changing food industry around the globe.

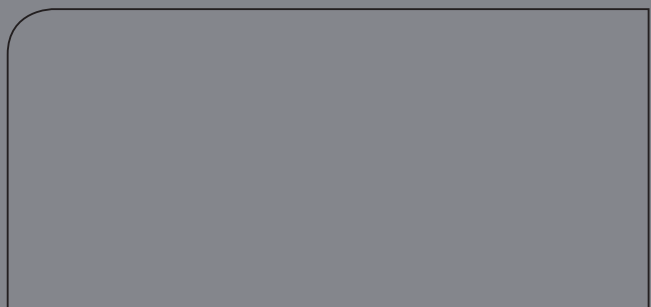
We aim to support our partners fully, from the very start of the buying process, and you will find many equipment brochures, visual animations and case studies available on our website. When you are ready to make contact, a well-resourced network of Ishida companies, distributors and agents, extending across Europe, the Middle East and Africa, can provide advice and organise demonstrations and trials.

Installation is rapid and efficient. For integrated packing lines, we use proven project management techniques and methodologies, tuned to your key objectives and specifications.

A dedicated pan-European service engineering team helps to maximise the performance, functionality and reliability of our installed base. In addition, spares facilities are strategically placed throughout the territory, offering 24-hour delivery in most cases.



helpline • spares • service • training



Ishida Europe Limited
11 Kettles Wood Drive
Woodgate Business Park
Birmingham B32 3DB
United Kingdom
Tel: +44 (0)121 607 7700
Fax: +44 (0)121 607 7666
info@ishidaeurope.com

Ishida Czech Republic
Tel: +420 317 844 059
Fax: +420 317 844 052
info@ishidaeurope.cz

Ishida Netherlands
Tel: +31 (0)499 39 3675
Fax: +31 (0)499 39 1887
info@ishida.nl

Ishida France
Tel: +33 (0)1 48 63 83 83
Fax: +33 (0)1 48 63 24 29
info@ishidaeurope.fr

Ishida Romania
Tel: +40 (0)21 589 73 52
Fax: +40 (0)21 310 34 22
info@ishidaeurope.ro

Ishida Germany
Tel: +49 (0)791 945 160
Fax: +49 (0)791 945 1699
info@ishida.de

Ishida South Africa
Tel: +27 (0)11 976 2010
Fax: +27 (0)11 976 2012
info@ishida.co.za

Ishida Middle East
Tel: +971 (0)4 299 1933
Fax: +971 (0)4 299 1955
ishida@ishida.ae

Ishida Switzerland
Tel: +41 (0)41 799 7999
Fax: +41 (0)41 790 3927
info@ishida.ch