

HEAT AND CONTROL

®

Rotary Brander



HEAT AND CONTROL

®

Rotary Brander

Continuously brand grill marks on meats, poultry, seafoods and vegetables for an appetizing finish.

Brand top, bottom or both sides

Choose from single and two-sided branders for formed and naturally shaped products.

Custom markings

Diamond patterns and other custom markings can be ordered instead of standard parallel grill marks.

Easily adjustable

Quickly set branding height for different products. If branding is not required, the grill roll can be raised clear of the product.

Floating ring roll

This option uniformly brands naturally shaped products of irregular thickness.

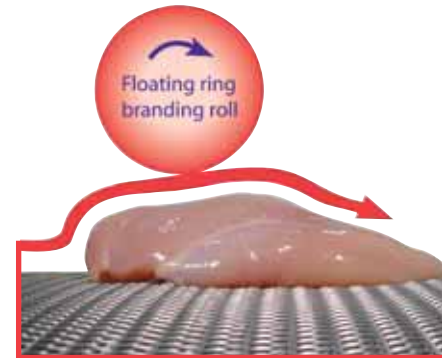
Control branding color

Adjust branding depth and speed to suit product requirements.

Compact size

Designed for tight installations, Rotary Brander require minimal space.

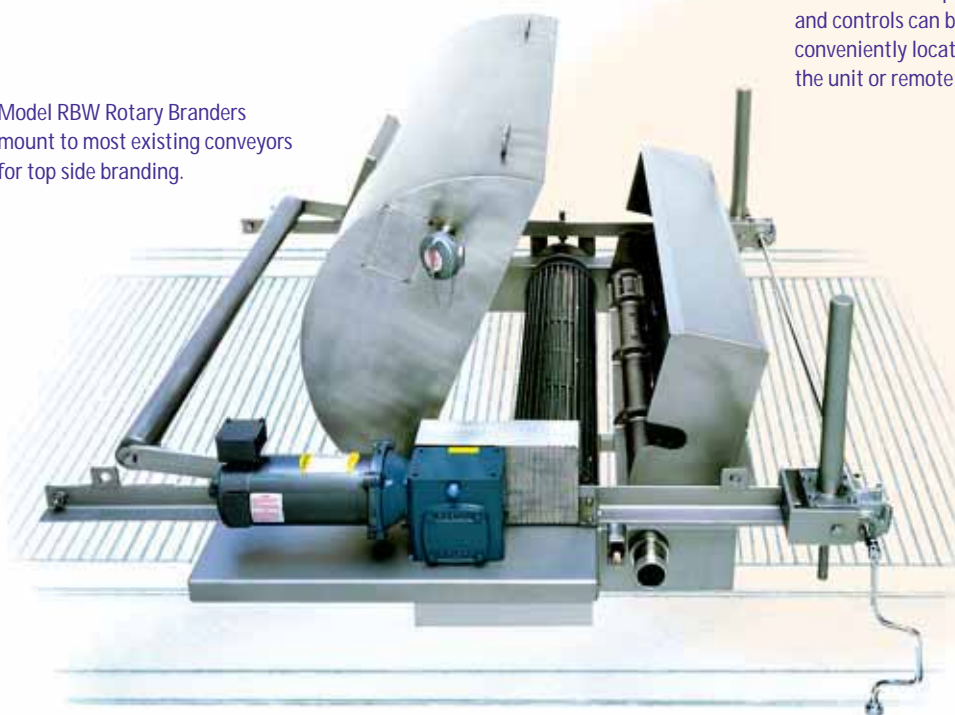
Built to USDA guidelines



Floating rings follow the natural contour of products to provide uniform branding.



Model RBW Rotary Brander mount to most existing conveyors for top side branding.



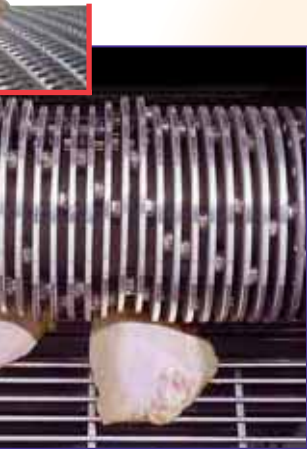
Combustion components and controls can be conveniently located at the unit or remotely.



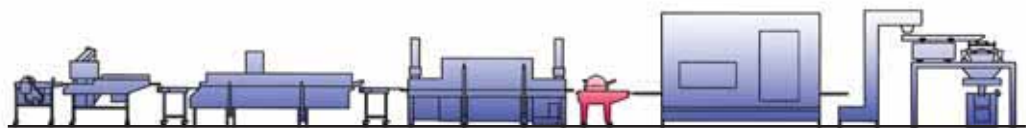
Easily adjust branding height for different products.

For top, bottom or two-sided branding, model RB Rotary Brander includes a variable speed conveyor, belt rinse and self-contained combustion and control systems.

Rotary Brander, operating and combustion controls are fully pre-piped and wired. Also available with remote control panel.



Rollaway models available

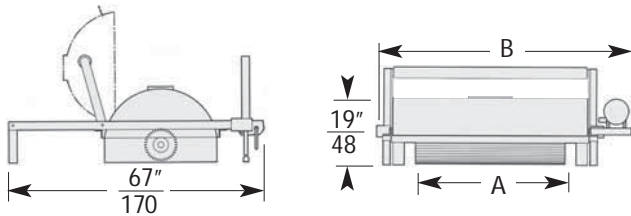


Coat Convey Fry Bake / Roast Brand Freeze Package

From product coating and cooking, through conveying and packaging, Heat and Control supplies the complete system.

Rotary Brander | Models RBW and RB

Rotary Brander can be custom designed to suit most any application. Test your products at any of our Technical Centers worldwide.



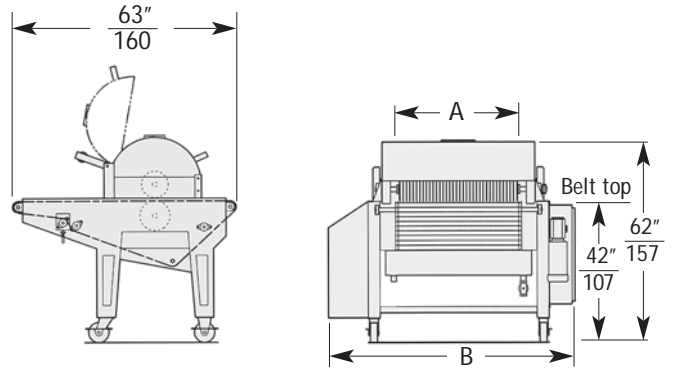
Model RBW top-side brander mounts to an existing conveyor.

| | A | B |
|--------|------------|---------------|
| Model | Belt Width | Overall Width |
| RBW-20 | 20"/ 51cm | 48"/122cm |
| RBW-24 | 24"/ 61cm | 52"/132cm |
| RBW-30 | 30"/ 76cm | 58"/147cm |
| RBW-40 | 40"/102cm | 68"/173cm |

Remote combustion control cabinet dimensions:
14" D x 24"W x 78"H (36cm D x 61cm W x 198cm H)

Dimensions are rounded to the nearest inch/centimeter.

Constant improvement and engineering innovations mean these specifications may change without notice.



Model RB self-contained unit for top, bottom or two-sided branding.

| | A | B |
|-------|------------|---------------|
| Model | Belt Width | Overall Width |
| RB-20 | 20"/ 508cm | 67"/1702cm |
| RB-24 | 24"/ 610cm | 71"/1803cm |
| RB-30 | 30"/ 762cm | 77"/ 196cm |
| RB-40 | 40"/1016cm | 87"/ 221cm |

Available with remote control panels.

Additional widths are available on request.

HEAT AND CONTROL®



Headquarters
21121 Cabot Blvd., Hayward, CA 94545 USA
Tel 1 800 227 5980 / 1 510 259 0500 Fax 1 510 259 0600

Campbellville, Canada
Tel 905 854 5650 Fax 905 854 5653

Guadalajara, Mexico
Tel +52 (33) 3689 1146 Fax +52 (33) 3689 2240

Livingston, Scotland
Tel +44 (0)1506 420420 Fax +44 (0)1506 403919

Brisbane, Australia
Tel +61 (0)7 3877 6333 Fax +61 (0)7 3343 8371

Singapore
Tel +65 6273 6362 Fax +65 6273 8161

Over 30 Offices Worldwide www.heatandcontrol.com • info@heatandcontrol.com • ©2006 Heat and Control, Inc.