

# THS/RB-800

## HIGH PERFORMANCE METAL DETECTION SYSTEM WITH ROUND BELT FOR IN-LINE APPLICATIONS

**CEIA introduces the new THS/RB-800 as the latest addition to the THS family.**

This is an innovative and unique system designed for seamless and highly compatible integration into standard checkweigher systems and other in-line applications, so that maximum detection sensitivity can always be achieved. The THS/RB-800 offers a high performance cost effective solution where space and best performance are critical.

### Main Features

- Compact conveyor system integrated with THS /SL21 series Metal Detectors
- Round belt design to eliminate metal contamination risk, thus achieving maximum sensitivity
- Hygienic and easy to inspect conveyor
- Conveyor skid plate and belt can be removed in seconds without tools for easy cleaning
- Digitally-adjustable belt speed, with the option of automatic synchronization with the following conveyor
- Fully compliant with HACCP criteria
- High immunity to environmental interference
- Very high sensitivity to all magnetic and non-magnetic metals, including stainless steel
- Multi-spectrum technology for the most accurate compensation of the product effect [MS21 series]
- Automatic learning & tracking of product effect
- Up to 500 product data memories, selectable by local programming or network software
- Up to 40 definable users with username and password



**HEAT AND CONTROL**

800 227 5980 • 510 259 0500 • [info@heatandcontrol.com](mailto:info@heatandcontrol.com)

[www.heatandcontrol.com](http://www.heatandcontrol.com)

Heat and Control reserves the right to make changes, at any moment and without notice, to the models (including programming), their accessories and options, to the prices and conditions of sale

DP002K0018v1000US

The new CEIA THS/RB-800 has been developed as a solution for seamless integration into any checkweigher system and other in-line applications. The main design considerations being a conveyor which allows the best sensitivity performance of the metal detector to be maintained throughout its lifetime. At a length of 800 mm (31.5") its footprint is small, and therefore it fits in the line taking up minimal space.

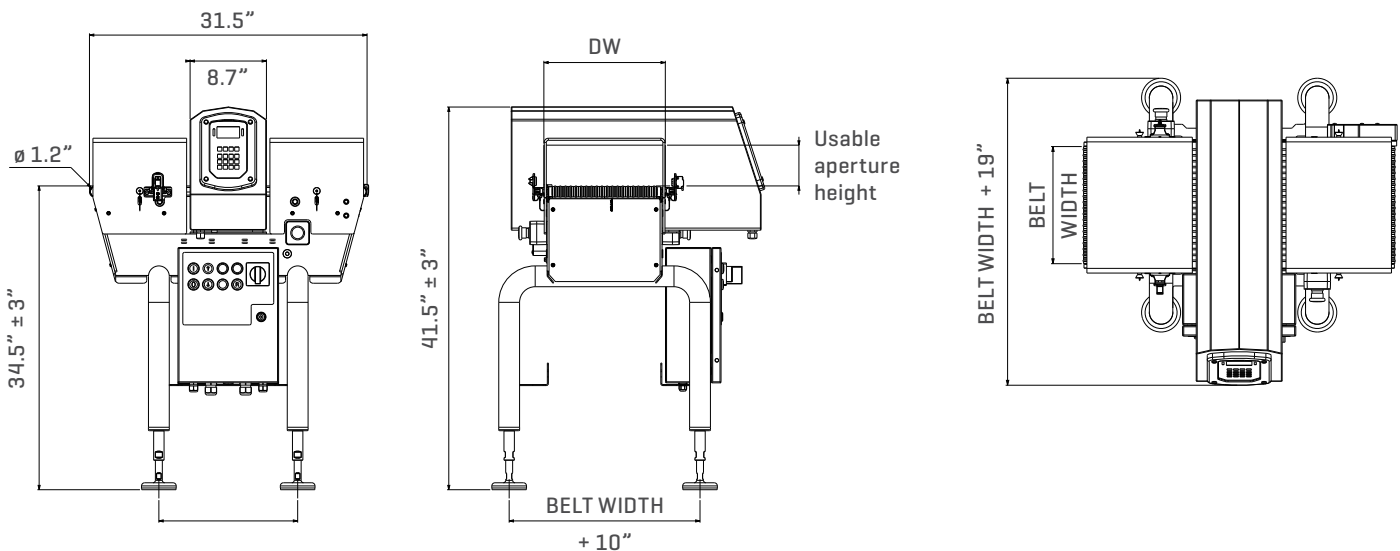
The simple electrical integration required allows the metal reject function to be carried out separately using the existing reject systems. Conveyor belt maintenance is minimal due to its unique design, which permits skid plate removal in seconds without the requirement for tools.

### Technical Specifications

Conveyor belt length	31.5" (800 mm)	
Conveyor belt width	8"/12"/16" (200/300/400 mm)	
Conveyor belt height	34.5" ± 3" (875 mm ± 75 mm)	
	38.5" ± 3" (975 mm ± 75 mm) upon request	
Variable Belt speed	66 - 200 ft/min [20 - 60 m/min]	
Max weight on the belt	11 lbs [5 Kg]	
Usable aperture height	2.5"/3.5"/4.5"/5.5"/6.5" (65/90/115/140/165 mm)	
Structure and components	AISI 304	
Surface Finishing	Polished	
Speed	Constant	Set by a parameter in the menu
	Variable	Set by the frequency of a signal connected to an encoder input
		Set by the voltage connected to an analog input [0-10V]
Protection degree	IP54	



### Mechanical Dimensions



Easy to clean and maintain



**TOOL-FREE BELT REMOVAL**



Extract the four locking pins

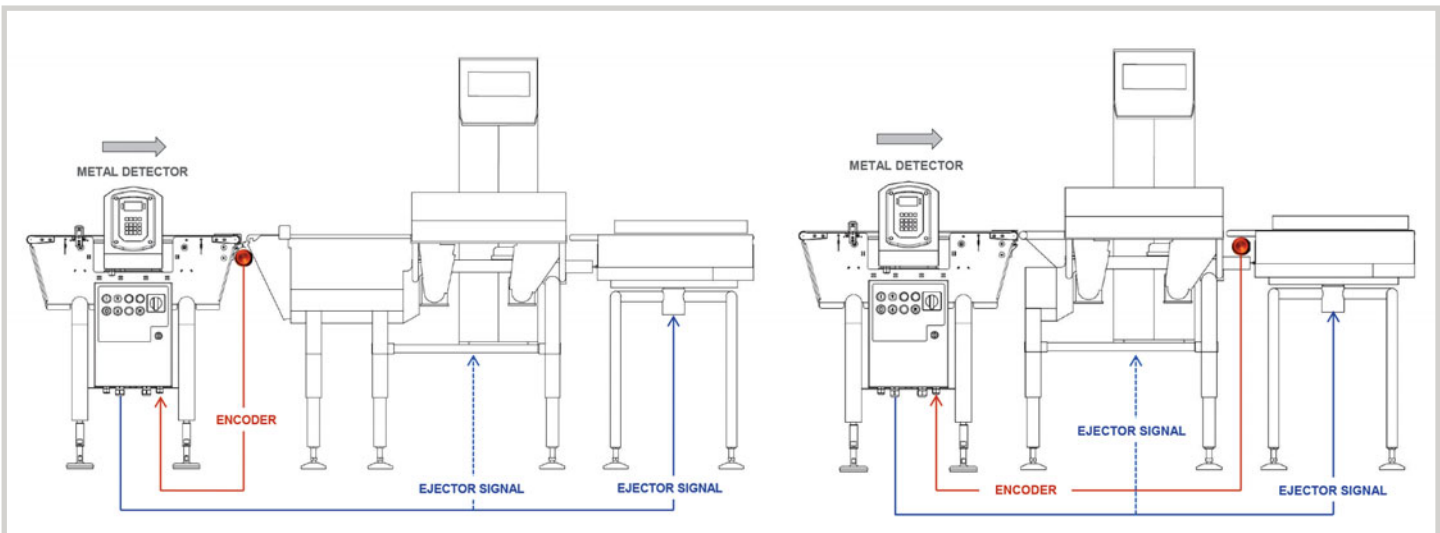


Lift the belt and the skid plate



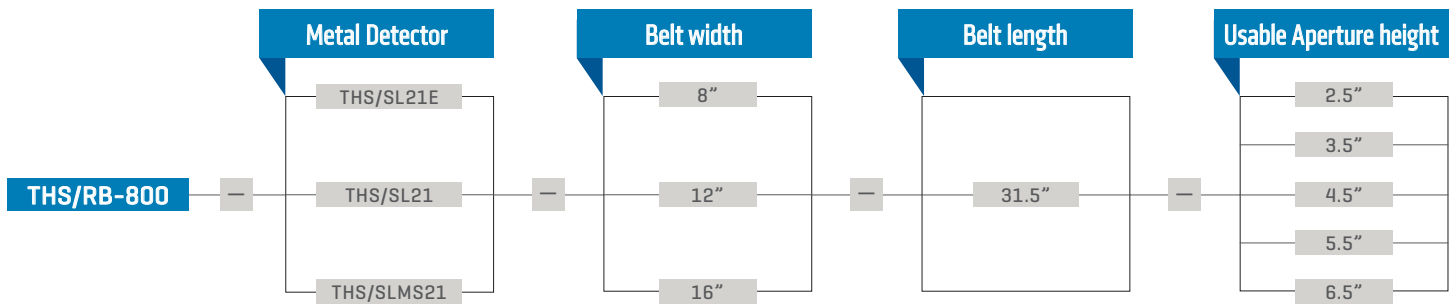
Remove the belt and the skid plate from the conveyor

Examples of installation



# THS/RB-800 HIGH PERFORMANCE METAL DETECTION SYSTEM WITH ROUND BELT FOR IN-LINE APPLICATIONS

## THS/RB Round Belt Configuration



	THS/RB-X-X-31.5"-X	
Synchronization photocell	●	Standard ●
Variable speed	●	Option ○
Ejection output relay signal	●	
Built-in encoder for following conveyor speed sensing	○	

## Specifications

<b>GENERAL FEATURES</b>	Conveyor belt integrated with Metal Detector	Easy to clean and maintain
	Full compliance with HACCP criteria	Multi-spectrum technology for most accurate compensation of the product effect
	Structure and components in stainless steel and food-compatible plastic parts (FDA, USDA compliant)	Very high sensitivity to all magnetic and non-magnetic metals, including stainless steel
	Control Panel listed according to UL 508A and CSA-C22.2 No. 14-05 available	Automatic learning and tracking of product effect
	Digitally-adjustable belt speed, with the option of automatic synchronization with the following conveyor	500 product data memories, selectable by local programming or network software
	High immunity to environmental interference	Up to 40 definable users with username and password
<b>DATA MANAGEMENT</b>	Electronic Records and Signatures Management compliant with 21 CFR Part 11: Data Security, Data Integrity, Data Traceability	
<b>EJECTION SYSTEMS</b>	Output relay to drive one ejector placed in the following conveyor	
<b>POWER SUPPLY</b>	100-120 Vac or 200-240 Vac, single phase - 50-60 Hz - 11.4A max	
<b>CONTROL INPUTS</b>	Downstream and upstream belt authorization	
<b>ENVIRONMENTAL CONDITIONS</b>	Operating temperature: 32°F to 122°F (0°C to +50°C)	
	Relative humidity: 5 to 90% (without condensation)	
<b>DEGREE OF PROTECTION</b>	Control System certified: Type 4X-12 (UL 50) available	
	Conveyor System: IP54 (IEC 529)	
<b>SIGNALS</b>	System completely monitored by self-diagnosis	
	Optical/acoustic signal for faults and alarms	
<b>INTERFACE</b>	RS-232 Serial interface	
	Bluetooth	
	Ethernet, WI-FI and USB interface (on request)	
<b>MANAGEMENT SOFTWARE</b>	THS Production software for statistical and operational management of networked THS systems	
	MD-SCOPE for local maintenance and programming operations	

800 227 5980 • 510 259 0500 • info@heatandcontrol.com

**HEAT AND CONTROL**

[www.heatandcontrol.com](http://www.heatandcontrol.com)

Heat and Control reserves the right to make changes, at any moment and without notice, to the models (including programming), their accessories and options, to the prices and conditions of sale

DP002K0018v1000US