



ISHIDA's Economy Snack Food Bagmaker

ASTRO-S Series



ASTRO-S-101

For high efficiency on the production line. ASTRO-S – Ishida's economical easy-to-operate bagmaker

Optimum line performance

Dependable packaging at speeds to 100 bags/minute

The Astro-S features Ishida's proprietary packaging machine technology. Our innovative pull-down belt system and servomotor-controlled film feeder produce high quality bags at a stable packaging rate.

Simple film change and maintenance procedures

The simplified machine design contributes to faster film changes and easy maintenance, resulting in reduced downtime and improved overall operational efficiency.

Reduced energy consumption

Lower air consumption contributes to energy saving.

Simplified user-friendly display

Color touch screen

The control unit with color LCD touch screen offers a simple and easy means of performing various operations and printing. Touch panel operations are icon-based for greater ease of use. Up to 200 product programs can be pre-set.



User-friendly operation

Tabs in the easy-to-follow graphic user interface provide quick access to multiple screens for simplified operator control.

Integrated self-diagnostic function contributes to faster resolution of malfunctions

In the unlikely event of problems, the integrated self-diagnostic function pinpoints the cause and displays the source, location, and details of the problem. This allows the problem to be resolved quickly.



Simple film changeover

The lightweight formers can be changed without using tools, and fewer film rollers insure fast film changes. A simple switch firmly locks the integrated air-chuck roll feed, securing the reel.



ASTRO-S



Stable control for high quality finished products

Stable film feeder

Servomotor control insures stable feeding of film for reliable packaging at 100 bags/minute.

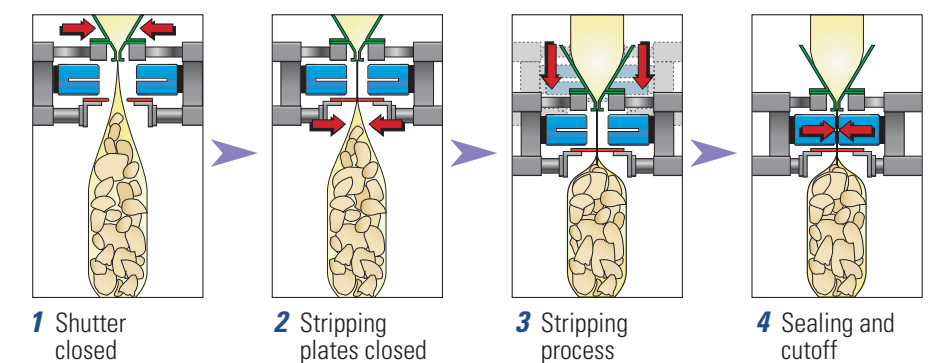
Consistent seal quality

The servomotor incorporated in the end seal area insures optimum seal pressure, seal time and seal temperature for each film. These parameters can be quickly set and programmed using the easy to operate control unit.



Product stripping ensures minimal film waste

Stripping plates located beneath the sealing jaws can be provided to remove any product from the end seal area prior to making the end seal.



Contributes to improved production line efficiency

Complete packaging system

Ishida provides innovative, high-performance bagmakers that easily interface with Ishida multihead weighers for smooth integration of the weighing and bagmaking functions.

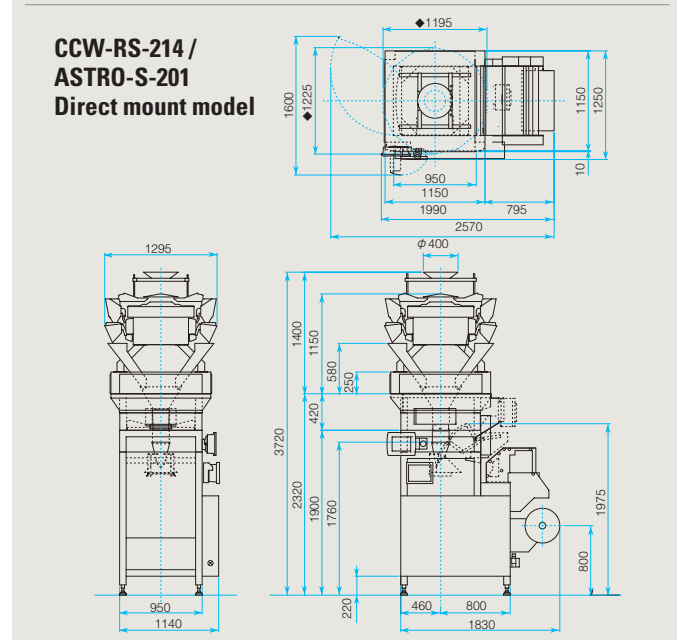
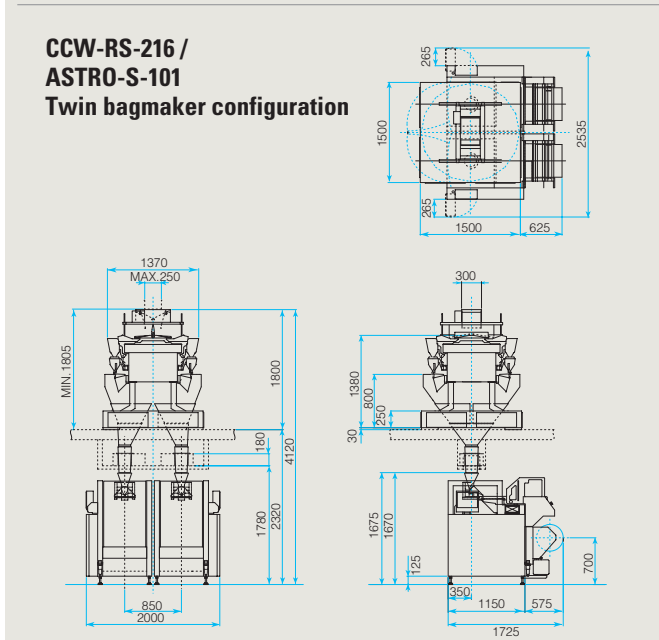
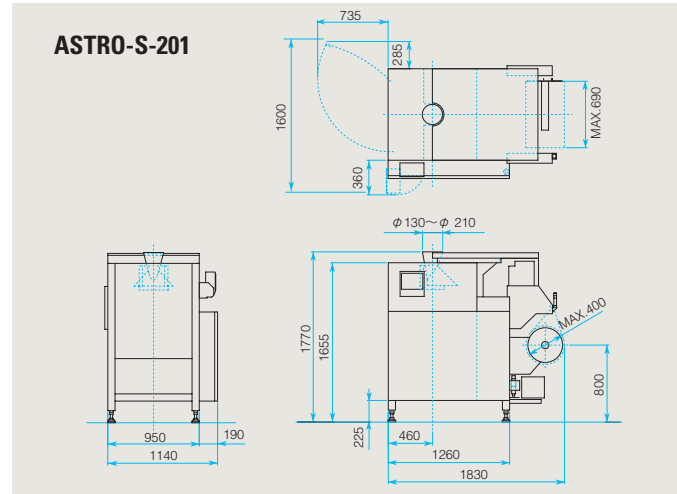
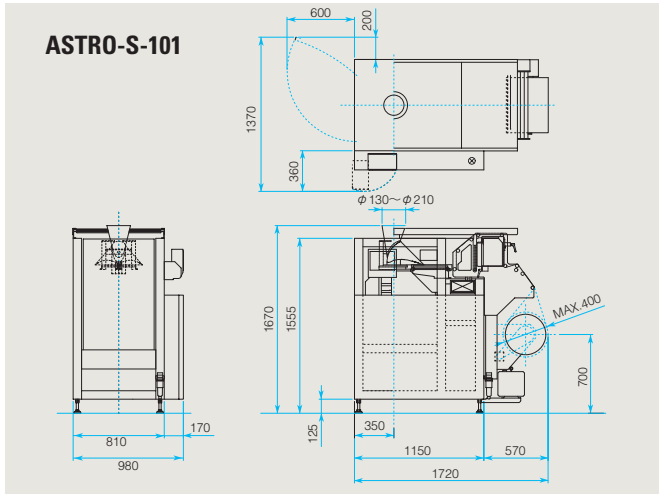
Specifications

Model	ASTRO-S-101	ASTRO-S-201
Running Speed*	10 - 100 BPM	up to 80 BPM
Bag Size	Width	100 mm ~ 230 mm
	Length	100 mm ~ 300 mm
Film Roll Size	Maximum roll diameter: 400 mm	Maximum roll diameter: 400 mm
	Maximum roll width: 490 mm	Maximum roll width: 690 mm
Enclosure Rating	IP-52	IP-52
Display	Color LCD	Color LCD
Presets	200 items	200 items
Power Supply**	3-phase 200 VAC ±10 % 15 A 3 kW 50 / 60Hz	3-phase 200 VAC ±10 % 15 A 3 kW 50 / 60Hz
Air Consumption	0.5 MPa 60 NL / minute	0.5 MPa 60 NL / minute

* Running speed is subject to change depending upon the product, product volume, packing material and in-feed condition of the product.

** Other power supply upon consultation

Dimensions unit: mm



ISHIDA CO., LTD.

44 SANNO-CHO, SHOGOIN, SAKYO-KU
KYOTO, 606-8392 JAPAN
PHONE : 81-75-771-4141
FACSIMILE : 81-75-751-1634
URL : <http://www.ishidajapan.com>

Specifications and design are subject to change without notice.



HEAT AND CONTROL, INC.

21121 CABOT BLVD.
HAYWARD, CA 94545-1132 USA
PHONE: 1(800)227-5980
1(510)259-0500
FACSIMILE: 1(510)259-0600
www.heatandcontrol.com
info@heatandcontrol.com