

High-performance In-Line Seal Tester

TSC-RVS

- Smooth supply of bags
- Precise inspection
- User-friendly and flexibility
- Hygienic design



Ishida TSC-RVS Seal Checker

SPECIFICATIONS

Model	TSC-RVS-120R(L)
Inspection Speed ^(*)	Max. 150bpm (100bpm without stabilizer unit)
Bag Inspection Range ^(**)	Length : 100 - 650mm Width : 50 - 330mm Thickness : 15 - 123mm
Inspection Accuracy ^(*)	Pinhole : 3mm (at 150bpm)
Minimum Thickness Graduation	0.01mm
Display Language	Multilingual (6 languages)
Preset Numbers	Max.200
Construction	IP - 30
Material & Finish	Main Cabinet: Mild Steel (paints) Conveyor: Aluminium (alumite finish) Linkages: Aluminium (alumite finish)
Power Supply	AC 200V to 240V Single Phase 50/60Hz
Machine Weight	Approx. 283kg (with RCU)

(*) Varies by product shape and condition.

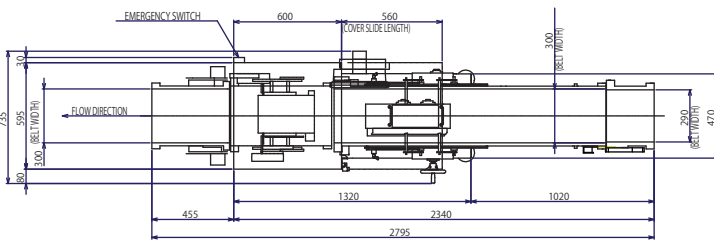
(**) Varies by inspection speed.

Accurate leak detection, gentle bag handling, and user-friendly operation deliver superior quality control on high-speed packaging lines up to **150** bags per minute. Ishida's state-of-the-art technology precisely checks bags up to **115mm** thick and up to **330mm** wide.

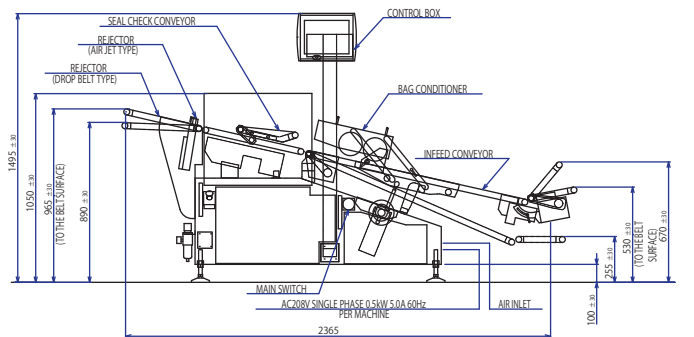
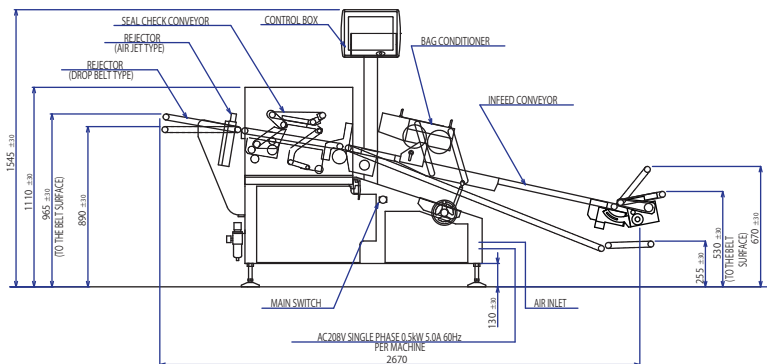
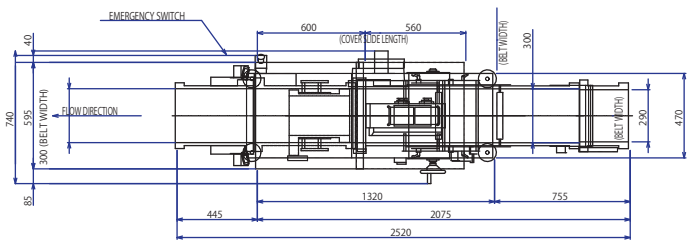
Ishida's proprietary feedback control system insures that the servo operated inspection head applies optimum pressure on the bag for precise seal checking, maximizing performance and preventing product damage.

DIMENSIONS unit: mm

TSC-RVS-120R



TSC-RVS-120R-S



Specifications and design are subject to change without notice.



ISHIDA CO., LTD. www.ishida.com

44 Shogoin Sannocho, Sakyo-ku,
Kyoto 606-8392, Japan
Phone : +81-75-771-4141 Facsimile : +81-75-751-1634



HEAT AND CONTROL, INC.

www.heatandcontrol.com
21121 CABOT BLVD. HAYWARD, CA 94545-1132 USA
info@heatandcontrol.com