

Soft Flight® Coating Drum



It all starts here

Every coating drum we manufacture is designed and engineered specifically to your product requirements. Our shell-in-shell drum provides sanitary operation and simple cleaning for snack, meat, dairy, and other process-specific applications.

Variable tilt frame assembly and product flight design exposes each piece of product to the application of liquid and dry coatings.

Custom product flight configuration reduces breakage.

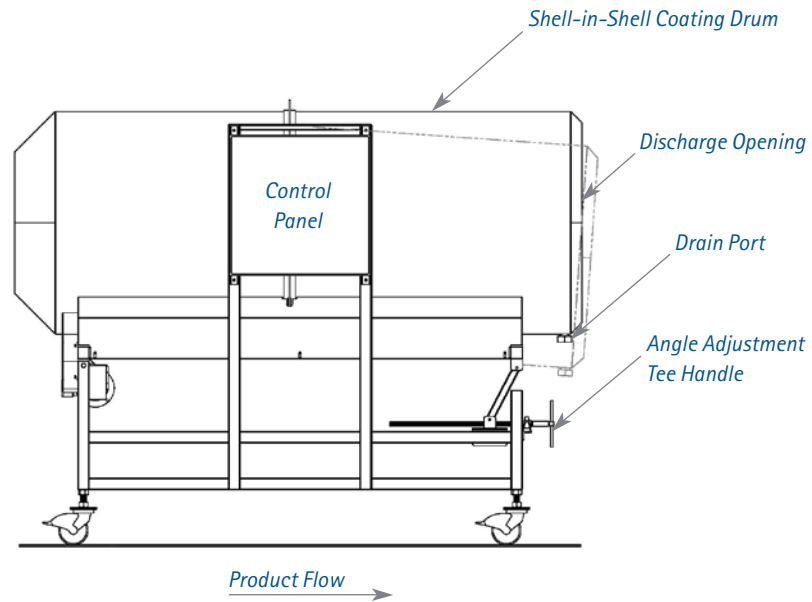
Standard Features

- 304 stainless steel shell-in-shell cylinder
- Washdown motor assembly with variable speed controller
- Variable tilt stainless steel frame assembly
- NEMA 4 stainless steel control console
- Portable casters with brake assembly

Options

- Micro V-Belt or chain drive assembly
- 316 stainless steel drum cylinder
- Sanitary drain port at drum discharge
- Mist/dust collection shroud
- Insulated drum
- AC drive motor
- Easy Pull spray bar mount

Soft Flight® Coating Drum



Utilities

- 115/220V, 1ph, 60Hz

Constant improvement and engineering innovations mean these specifications may change without notice.



Soft Flight coating drums are available in a variety of sizes and configurations.



Optional Easy Pull™ spray bar mount allows safer "tools-free" installation and removal of the spray bar and/or Uni-Spense.

