

HEAT AND CONTROL

®

Mastermatic® Prepared Foods Fryer



Standard fryers are available with 12 to 65 sq. ft. (1.1 to 6 sq. meters) of frying area.

Automated continuous frying for a variety of prepared food products.

Precise frying control

Accurately control temperature and conveyor speed for consistently uniform products including:

Chicken nuggets	Coated vegetables	Eggrolls
French fries	Tempura products	Hashbrowns
Seafoods	Meatballs & patties	Fried pies

Superior product quality

Low oil volume provides fast oil turnover rates for fresh, crisp products with a longer shelf life. Unique Mastermatic Cool Zone™ extends oil life.

Maximum versatility

A variety of conveyor belts are available for different products. All models feature multiple heating zones for optimal temperature control.

Easy installation

All models are pre-wired and include operating controls. Fryer systems can be delivered pre-piped to reduce the cost of installation.

Minimal floor space

Mastermatic fryers provide a large frying area from a relatively small footprint.

Easy cleaning

Main and submerger conveyors separate and raise clear of the pan to facilitate cleaning. Fryer is built to USDA standards.

Optional features

- Continuous oil filter
- Sediment removal conveyor
- Automatic oil level control
- Coating systems
- Conveying, inspection, and packaging systems

Mastermatic Prepared Foods Fryer

Model MPFF

Choose from our standard conveyor designs or let us custom design a fryer for your unique products.



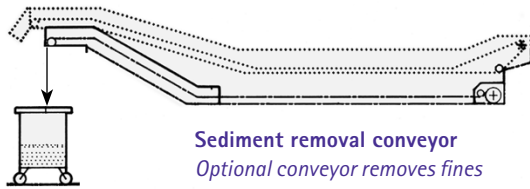
Non-buoyant product
Meatballs, bone-in chicken, deli loaves.



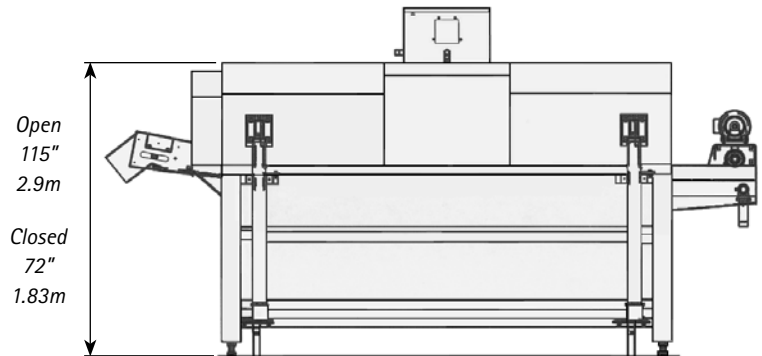
Fragile semi-buoyant product
Meat patties, vegetables, clams, eggrolls, eggplant, fish.



Tempura coated product
Fish and chicken nuggets, shrimp, potato pancakes, pockets.



Sediment removal conveyor
Optional conveyor removes fines from pan bottom and continuously deposits them into an external container. Note: Adds approximately 5 feet (1.53m) to fryer length.



Standard Model Examples	Heating Zones	Overall Length feet/meters	Overall Width inches/mm
8-24	2	11' / 3.36	60" / 1524
10-24	2	13' / 3.97	60" / 1524
8-30	2	11' / 3.36	66" / 1676
28-30	3	31' / 9.46	66" / 1676
8-36	2	11' / 3.36	72" / 1829
36-36	3	39' / 11.90	72" / 1829
8-42	2	11' / 11.36	78" / 1981
32-42	3	35' / 10.68	78" / 1981

Fryer lengths are available in 2' (.6m) increments up to 36' (11m) long with useable belt widths up to 40" (1016mm). Dimensions are rounded to the nearest inch / millimeter / meter.

Constant improvement and engineering innovations mean these specifications may change without notice.

