

Versatile, High-performance  
Checkweigher

# DACS-G Series



# The advanced technology of DACS-G checkweighers improves the performance of any production line in any manufacturing environment.

The DACS-G Series utilizes unique and proprietary technology to deliver unbeatable checkweighing accuracy and speed. Data management via computer and easy operating controls boost productivity and line efficiency.



## *Sophisticated design delivers superior performance*

### New high-output Digital load cell sensor

MINIMUM  
GRADUATION

0.05  
0.05g

MAXIMUM  
SPEED

440  
440BPM

New D-HOP-LC high-output digital load cells feature enhanced sensitivity over conventional models. The load cell's rigid design allows weight to stabilize more quickly, ensuring faster weighing speeds.

### Ultra high accuracy Force-balance sensor

MINIMUM  
GRADUATION

0.01  
0.01g

MAXIMUM  
SPEED

600  
600BPM

Ishida's highly sensitive and durable electromagnetic balance weighing sensor has a maximum capacity of 600 packages/min and a minimum graduation of 0.01 g. The system is ideal for checkweighing pharmaceuticals, industrial products, and other products requiring accurate high-speed inspection.

### Weight range versatility

Multi-range weighing capacity allows one checkweigher to satisfy a wide variety of product sizes and speed requirements.

- **G-S015 Series** 600 g (0.05 g) ⇔ 1500 g (0.1 g)
- **G-S060 Series** 3000 g (0.2 g) ⇔ 6000 g (0.5 g)
- **G-S300 Series** 15 kg (1 g) ⇔ 30 kg (2 g)
- **G-S600 Series** 15 kg (1 g) ⇔ 30 kg (2 g) ⇔ 60 kg (5 g)

DACS offers a choice between a  
**digital load cell sensor**  
or  
**force-balance sensor.**



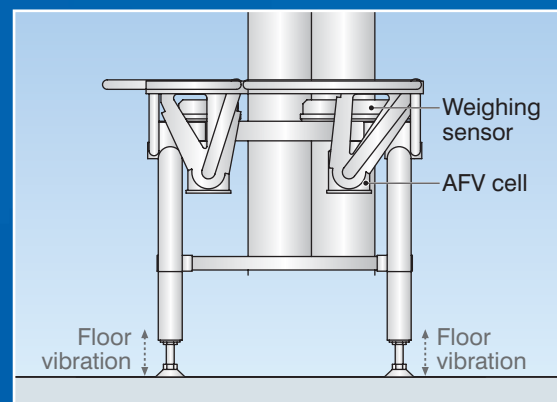
## New 3D Digital Filter

performs optimal noise elimination.  
The optimum filter pattern is selected according to the size of the target, conveyor speed, and target weight to ensure more effective elimination of noise.



## AFV (Anti Floor Vibration) Mechanism

reduces weighing errors caused by vibration from the floor. A highly-sensitive load cell detects and eliminates noise from floor vibration and other factors that significantly influence accuracy, significantly reducing weighing errors.



\*For Load cell model only

# User-friendly operation and Data management



## 7-inch color LCD screen with command dial

Select programs and quickly access operator controls by simply turning the command dial while watching the wide color screen. The new control panel provides intuitive operation, reducing production loss due to operator errors and also reducing operator training costs.

The command dial signal lamp enables the operational status of the system to be easily checked, even from a remote location.



## Standard USB slot

Weighing data can be saved on a USB memory stick or computer. All weighing data can be exported in Microsoft Excel format.



### Wide 12.1-inch color LCD display

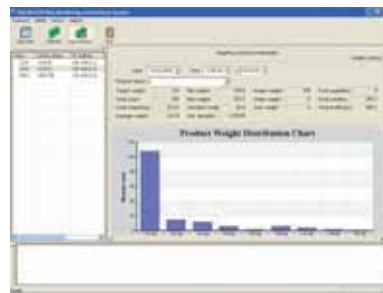
Easy-to-view, large, icon-based touch screen. Supports iTPS (Ishida Total Packaging System) for integrated operation with Ishida weighers and bagmakers.

**Optional**

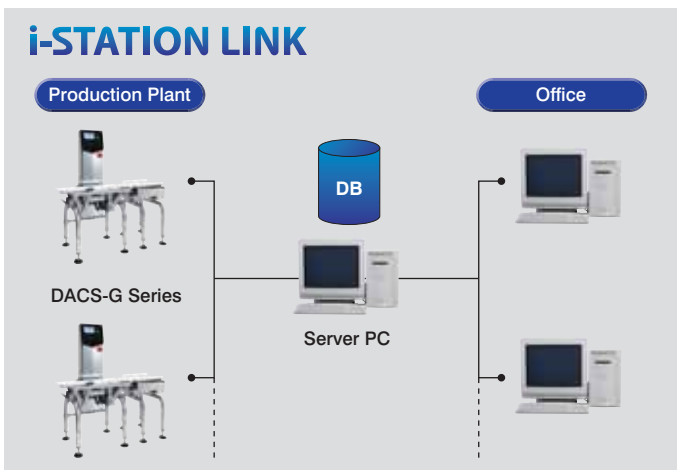


## Collect and manage weighing data with i-STATION LINK (Optional)

i-STATION LINK, Ishida's proprietary data collection and viewing system, collects weighing data on a computer and displays real-time production statistics. This handy application is the ultimate tool for production adjustment and line management, not only keeping you up to date with operation conditions from the office, but also allowing you to use weighing data for analyzing production status with a PC.



Weighing data totals are displayed in an easy-to-read format. Weighing results can be searched by machine, date, time, and other data.



Individual weighing data is listed. Data can be output in Microsoft Excel format for use in post-weighing analysis and production management.

# Durable, sanitary design

All models in the DACS-G Series have stainless steel bodies that are durable, easy to clean, and compliant with HACCP and GMP standards to facilitate plant sanitation procedures.



## All stainless steel construction

Stainless steel bodies provide superior corrosion resistance, and promote fast and thorough cleaning.

## Open frame design

The stainless steel open frame design with circular pipe legs prevents dirt and product build-up, and provides convenient access for cleaning.



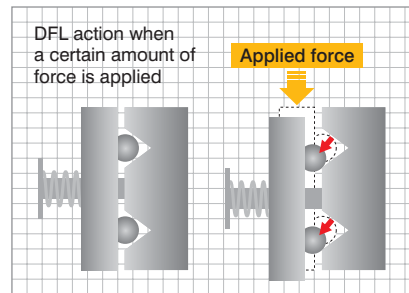
## One-touch conveyor replacement

## Waterproof construction with IP69K rating



Superior waterproof design can withstand high pressure washing with hot water at 80°C. Suitable for use in meat, dairy, and seafood processing applications, and other demanding environments.

## Dislocation Force Limiter for sensor protection



Ishida's proprietary Dislocation Force Limiter dissipates the impact when external loads exceed a maximum threshold, preventing damage to weighing sensors.

# Designed for flexible operation

## • Adjustable belt surface height

Belt height can be adjusted to one of four settings.

500 to 550mm

600 to 700mm

750 to 900mm

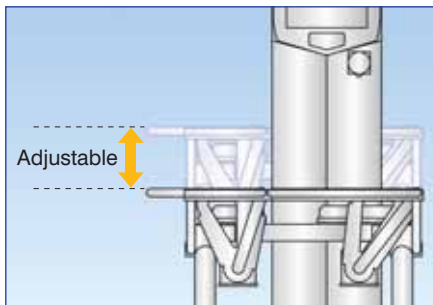
950 to 1100mm

## • Switch weighing capacity and minimum graduation

## • Switch between grams and ounces

## • Metal detection

Combination checkweigher/metal detector units provide additional quality control in one space-saving system.



Adjustable belt surface height



Metal detection

## System Options

### Twin Cell Model

Everything from small packets to long items can be weighed on the same line.

### Printer

A printer attached to the control unit provides hard-copy data of shift production.

### Feedback Control

Corrective control signals from the checkweigher to an upstream auger filler improve production efficiency.

### Standard Weight Range Update

Automatically updates standard weight range according to the current average proper weight, ensuring that inspections are not affected by fluctuations in product weight.

### Random Checks

A single checkweigher can conduct product inspections for mixed lines that have products of different sizes, weights, and shapes.

### Multi-directional Rejecting

Products can be rejected in more than four directions.

\*Various options are available. Please ask Ishida distributors.

# Flexible system configuration for use on any production line

The DACS-G Series features a variety of customizable system options including weighing sensors, weighing capacity, conveyor size, remote control, and durability specifications. Select the optimum product configuration for your production line needs.

## System Options

### Operation display

- 7-inch color LCD with command dial
- 12.1-inch color LCD touch panel\*1

### Construction

- Non-waterproof IP-30
- Waterproof IP-69K\*2

### Weighing sensor

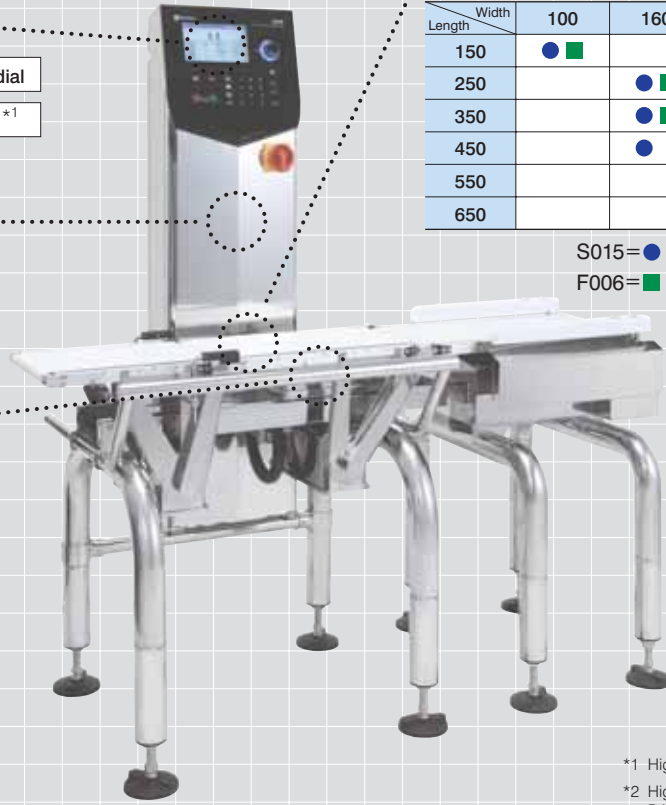
- Load cell**
  - Max. 440 packages/min
  - Min. graduation 0.05 g
  - Capacity (Multi-range)
    - 600 g (0.05 g) ⇔ 1.5 kg (0.1 g)
    - 3 kg (0.2 g) ⇔ 6 kg (0.5 g)
    - 15 kg (1 g) ⇔ 30 kg (2 g)
    - 15 kg (1 g) ⇔ 30 kg (2 g) ⇔ 60 kg (5 g)
- Force balance**
  - Max. 600 packages/min
  - Min. graduation 0.01 g

### Conveyor size

(Unit : mm)

Length	Width	100	160	240	320	400
150		● ■				
250			● ■	● ● ■		
350			● ■	● ● ■	● ● ■	
450			●	● ● ■	● ● ■	●
550					● ■	●
650					●	●

S015=● S060=● Load Cell Model  
F006=■ F030=■ Force-Balance Model

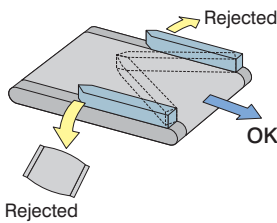


\*1 High-grade operation display.  
\*2 High-grade waterproof construction available for DACS-G-S015, S060, F-006, F030.

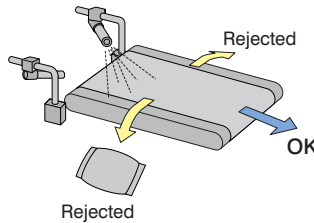
## Rejector Lineup

A variety of rejection systems are available to suit different products and production lines.

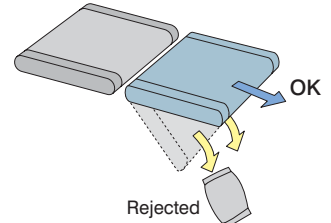
### Arm Rejector



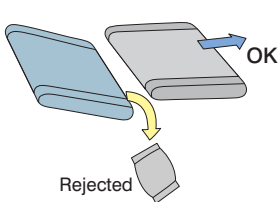
### Air Jet Rejector



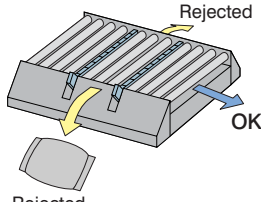
### Drop Belt Rejector



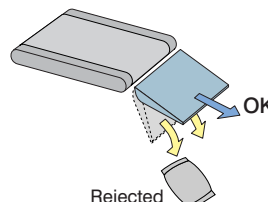
### Drop Up Belt Rejector



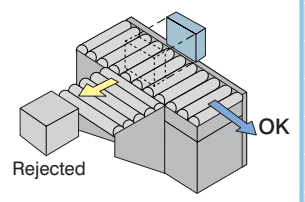
### Fin Rejector



### Drop Flap Rejector



### Push Plate Rejector



## Ishida DACS-G Series Lineup



Model	DAC-S-G-S015-SS/CR		DAC-S-G-S060-SS/CR		DACS-G-F006-SS/CR	DACS-G-F030-SS/CR
Weighing capacity	1,500g (600g ⇄ 1500g multi-range)		6,000g (3000g ⇄ 6000g multi-range)		600g	3,000g
Weighing range	6~600g	15~1500g	30~3,000g	60~6,000g	1.5~600g	7.5~3,000g
Minimum graduation	0.05g	0.1g	0.2g	0.5g	0.01g	0.05g
Weighing speed *1	MAX 440 items/min	MAX 440 items/min	MAX 440 items/min	MAX 240 items/min	MAX 600 items/min	MAX 440 items/min
Weighing accuracy (3σ)*1	±0.1g~	±0.2g~	±0.4g~	±1g~	±0.02g~	±0.1g~
Weigh sensor	Double-beam load cell (high output)				Electromagnetic balance type	
Product dimensions	Length	46~400mm	58~590mm		46~300mm	58~500mm
	Width	20~320mm	20~400mm		20~160mm	20~320mm
	Height	10~180mm ( With windshield cover : ~130mm)*2				
Belt speed	MAX. 120m/min : 1m/min interval (CR : 95m/min)					
Construction	Standard : IP30 (International standard) Waterproof : IP69K (International standard)					
Power supply	Single phase AC100~120V, Single phase AC200~240V					
Temperature	0°C~40°C (Humidity 30~85%, no condensation)					
Main body weight (without metal detector)	Approx. 80kg		Approx. 90kg		Approx. 80kg	Approx. 90kg
Standard devices	USB slot for data collection*3					
Options	Various options are available. Please contact Heat and Control.					

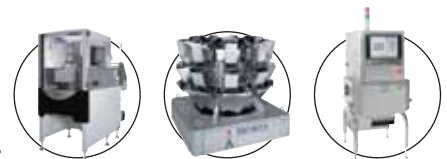
Model	DACS-G-S150-PB/WP	DAC-S-G-S300-PB/WP		DAC-S-G-S600-PB/WP		
Weighing capacity	15,000g	30,000g (15,000g ⇄ 30,000g multi-range)		60,000g (15,000g ⇄ 30,000g ⇄ 60,000g multi-range)		
Weighing range	150~15,000g	150~15,000g	300~30,000g	150~15,000g	300~30,000g	600~60,000g
Minimum graduation	1g	1g	2g	1g	2g	5g
Weighing speed *1	MAX 84 items/min	MAX 60 items/min		MAX 30 items/min		
Weighing accuracy (3σ)*1	±2g~	±2g~	±10g~	±2g~	±10g~	±10g~
Weigh sensor	Double-beam load cell (high output)					
Product dimensions	Length	210mm~590mm	210mm~590 / 740 / 1040mm			
	Width	50mm~450mm	50mm~450 / 500 / 600mm			
	Height	50mm~450mm	50mm~450 / 500 / 500mm			
Belt speed	10~55m/min	10~40m/min		5~20m/min		
Construction	Standard : IP30 (International standard) Waterproof : IP65 (International standard)					
Power supply	Single phase AC100~120V, Single phase AC200~240V					
Temperature	0°C~40°C (Humidity 30~85%, no condensation)					
Main body weight (without metal detector)	Approx. 130kg	Approx. 140kg		Approx. 140kg		
Standard devices	USB slot for data collection*3					
Options	Various options are available. Please contact Heat and Control.					

\*1 Weighing accuracy and speed depend on product shape and other conditions. \*2 Windshield cover is an option. \*3 Use the USB devices which Ishida specifies.

Model	Weighing capacity (g)	Min. graduation (g)	Accuracy (3σ) (g)	Weighing speed (item/min.)	Belt speed (m/min.)	Product dimensions (mm)			Category	Protective construction
						Length	Width	Height		
<b>Small weight range from 6g to 1500g</b>										
DACS-G-S015-11/SS				MAX400		46~100	20~100			
DACS-G-S015-12/SS(CR)				MAX440 (370)		46(86)~200				
DACS-G-S015-13/SS(CR)				MAX340 (275)		46(86)~300	20~160			
DACS-G-S015-14/SS(CR)				MAX265 (210)		46(86)~400				
DACS-G-S015-22/SS(CR)	6~600 /15~1,500 (multi-range)	0.05 /0.1	±0.1~ /±0.2~	MAX440 (370)	MAX120 (95)	58(86)~200		10~180**	Small capacity	SS : IP30 CR : IP69K
DACS-G-S015-23/SS(CR)				MAX340 (275)		58(86)~300	20~240			
DACS-G-S015-24/SS(CR)				MAX265 (210)		58(86)~400				
DACS-G-S015-33/SS(CR)				MAX340 (275)		58(86)~300	20~320			
DACS-G-S015-34/SS(CR)				MAX265 (210)		58(86)~400				
<b>Middle weight range from 30g to 6kg</b>										
DACS-G-S060-22/SS(CR)				MAX440 (370)		58(86)~200				
DACS-G-S060-23/SS(CR)				MAX340 (275)		58(86)~300	20~240			
DACS-G-S060-24/SS(CR)				MAX265 (210)		58(86)~400				
DACS-G-S060-33/SS(CR)				MAX340 (275)		58(86)~300				
DACS-G-S060-34/SS(CR)	30~3,000 /60~6,000 (multi-range)	0.2 /0.5	±0.4~ /±1~	MAX265 (210)	MAX120 (95)	58(86)~400	20~320	10~180**	Middle capacity	SS : IP30 CR : IP69K
DACS-G-S060-35/SS(CR)				MAX215 (170)		58(86)~500(495)				
DACS-G-S060-36/SS(CR)				MAX180 (145)		58(86)~590(585)				
DACS-G-S060-44/SS(CR)				MAX265 (210)		86~400				
DACS-G-S060-45/SS(CR)				MAX215 (170)		86~495	20~400			
DACS-G-S060-46/SS(CR)				MAX180 (145)		86~585				
<b>Large weight up to 60kg</b>										
DACS-G-S150-46/PB.WP	150~15,000	1	±2g~	MAX84	10~55	210~590	50~450	50~450		
DACS-G-S300-46/PB.WP	150~15,000 /300~30,000 (multi-range)	1 /2	±2g~ /±10g~	MAX60		210~590	50~450	50~450		
DACS-G-S300-58/PB.WP				MAX50	10~40	210~740	50~500	50~500	Large capacity	PB : IP30 WP : IP65
DACS-G-S300-611/PB.WP				MAX36		210~1040	50~600	50~500		
DACS-G-S600-46/PB.WP	150~15,000 /300~30,000 /600~60,000 (multi-range)	1 /2	±2.0~ /±10.0~ /±10.0~	MAX30		210~590	50~450	50~450		
DACS-G-S600-58/PB.WP				MAX25	5~20	210~740	50~500	50~500		
DACS-G-S600-611/PB.WP		1/5		MAX18		210~1040	50~600	50~500		
<b>High speed, High precision</b>										
DACS-G-F006-11/SS				MAX600		46~100	20~100			
DACS-G-F006-12/SS(CR)	1.5~600	0.01	±0.02~	MAX440 (370)		46(86)~200	20~160			
DACS-G-F006-13/SS(CR)				MAX340 (275)	46(86)~300					
DACS-G-F030-22/SS(CR)				MAX440 (370)		58(86)~200				
DACS-G-F030-23/SS(CR)				MAX340 (275)	MAX120(95)	58(86)~300	20~240	10~180**	High precision	SS : IP30 CR : IP69K
DACS-G-F030-24/SS(CR)				MAX265 (210)		58(86)~400				
DACS-G-F030-33/SS(CR)	7.5~3000	0.05	±0.1~	MAX340 (275)		58(86)~300				
DACS-G-F030-34/SS(CR)				MAX265 (210)	58(86)~400	20~320				
DACS-G-F030-35/SS(CR)				MAX215 (170)		58(86)~500(495)				

\* Weighing accuracy and speed depend on product shape and other conditions.  
 \*\* When wind shield cover is on, the maximum height is 130mm. (Wind shield cover is an option)  
 When checkweigher is integrated with metal detector, the product height is limited upon the types of metal detector.

Ishida, the world leader in weighing technology, also manufactures a full line of multihead weighers, X-ray inspection systems, and packaging machines.



Vertical Bagmaker Multihead Weigher X-ray inspection system

Specifications and design are subject to change without notice.



**ISHIDA CO., LTD.**

44 SANNO-CHO, SHOGOIN, SAKYO-KU  
 KYOTO, 606-8392 JAPAN  
 PHONE: 81-75-771-4141  
 FACSIMILE: 81-75-751-1634  
 URL: <http://www.ishida.com>



**HEAT AND CONTROL, INC.**

21121 CABOT BLVD.  
 HAYWARD, CA 94545-1132 USA  
[www.heatandcontrol.com](http://www.heatandcontrol.com)  
[info@heatandcontrol.com](mailto:info@heatandcontrol.com)