

Crate Dumper Metering Hopper Vertical Screw Elevator

Rugged, reliable system empties crated product and meters a consistent flow to processing equipment.

Crate Dumper

Safely tilts crates to empty potatoes, onions, and other produce into the Metering Hopper. Easily load up to 3,300 pound crates by forklift. The machine-mounted hydraulic tilt system controls product discharge rate. Tubular frame improves cleaning access.

Metering Hopper

80 cubic feet storage capacity and your choice of belt or auger discharge for consistent delivery of product to the Vertical Screw Elevator. Sloped hopper walls and a shielded bottom prevent product damage and clogging. Adjust output with a variable speed mechanical drive. Tubular frame improves cleaning access.

Vertical Screw Elevator

Large diameter variable speed auger quickly elevates your product to peelers or other equipment, while separating rocks and other debris. The auger's rugged bottom bearing provides long service and easy maintenance. Flanged vertical tube simplifies auger removal and includes water sprays. Door in tank facilitates cleaning.



1 *Crate Dumper*
2 *Metering Hopper (belt discharge)*
3 *Vertical Screw Elevator*

Optional Accessories

- Adjustable crate size and product discharge cover for Crate Dumper
- Non-powered belt cover for Crate Dumper gently meters delicate product while keeping liner bags in their boxes
- Dust control hood for Metering Hopper
- Automatic Rock Remover for Vertical Screw Elevator protects downstream equipment by continuously removing rocks and debris
- Discharge chutes on Vertical Screw Elevator to feed one or more peelers

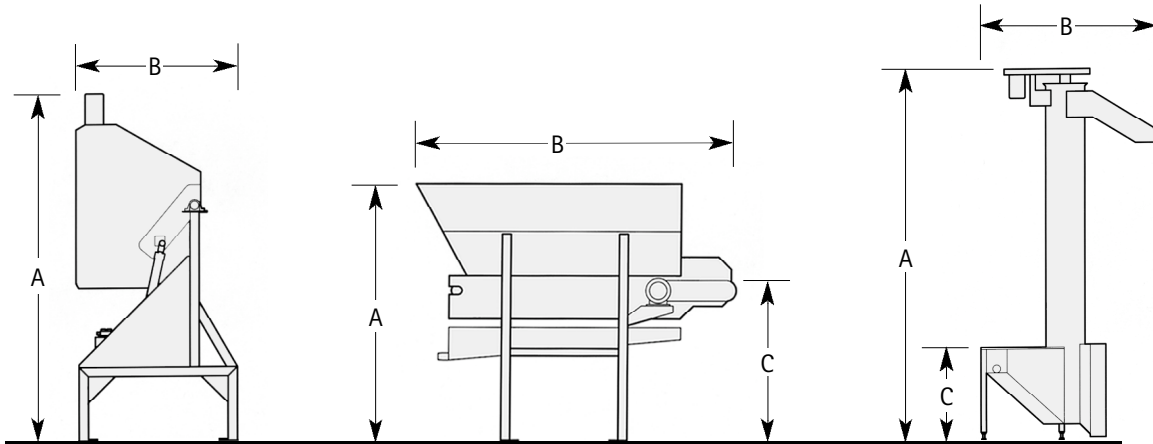


Crate Dumper | *Model CD*

Metering Hopper | *Model PMH*

Vertical Screw Elevator | *Model VSE*

Choose epoxy-coated steel or stainless steel construction.
Customized large-capacity systems are also available.



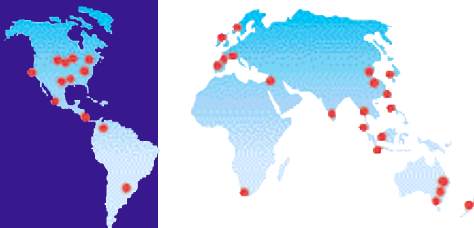
Crate Dumper		Metering Hopper		Vertical Screw Elevator				
A	Height	115" / 292 cm	A	Height	96" / 244 cm	A	Height	144" / 366 cm
B	Length	152" / 132 cm	B	Length	109" / 277 cm	B	Length	43" / 109 cm
	Width	68" / 173 cm	C	Discharge	56" / 142 cm	C	Infeed	36" / 91 cm
				Width	60" / 152 cm		Width	45" / 114 cm

Approximate dimensions are rounded to the nearest inch/centimeter. Equipment is available in special sizes to fit your production line.

Constant improvement and engineering innovations mean these specifications may change without notice.

HEAT AND CONTROL

®



heatandcontrol.com • info@heatandcontrol.com • © Heat and Control, Inc.