

HEAT AND CONTROL

Oscillating Funnel Follower

Model OFF



- The Oscillating Funnel Follower provides controlled transfer of product from the Ishida Computer Weigher to continuous motion horizontal tray and carton filling conveyors.



OFF - 121

*Shown with dual in-line funnels
and Heat and Control tray conveyor*

An independent drive system with servo motor, smart controller and encoder automatically synchronizes the transfer funnel to the conveyor flights.

The dual in-line funnel OFF can achieve speeds to 140 containers per minute, depending on product characteristics, target weight, and container dimensions.

Precise control of the funnel's motion profile maximizes the window for product transfer.

"No tray / no fill" sensors make sure that no product is discharged when there is no container.

Guard doors are equipped with full safety interlocks, for wiring to the line's emergency stop signal.

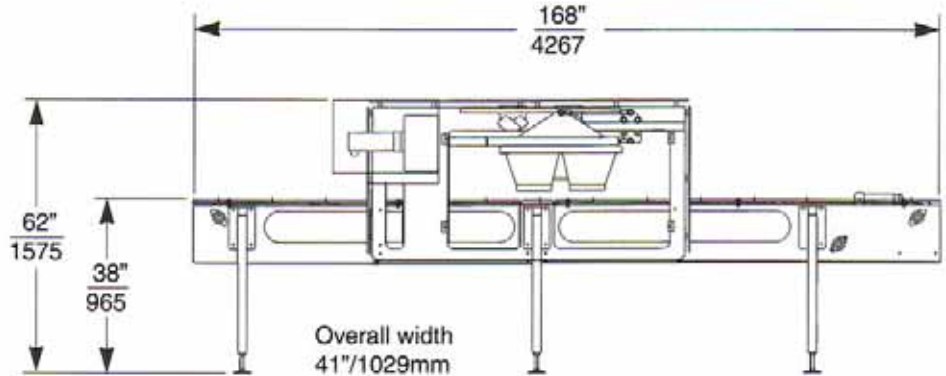
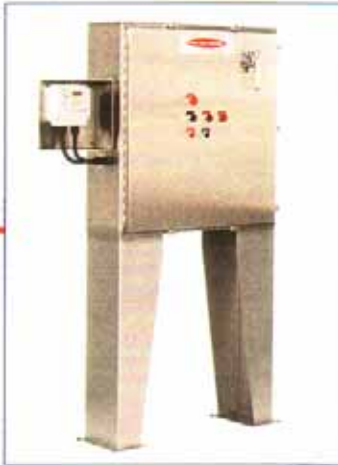
All horizontal and vertical motions of the funnel are driven through a single mechanism, reducing maintenance requirements.

Heavy duty stainless steel construction, suitable for a washdown environment, meets USDA sanitation standards.

Oscillating Funnel Follower

Model OFF

Custom designs utilizing multiple funnels optimize overall line speeds for both single and dual-lane conveyors.



Dimensions are rounded to the nearest inch/millimeter. Constant improvement and engineering innovations mean these specifications may change without notice.



**Over 30 Offices Worldwide
Contact Us For The Location Nearest You**

Heat and Control, Inc.

21121 Cabot Blvd., Hayward, CA 94545-1132 USA
Tel 1 800 227 5980 / 1 510 259 0500 Fax 1 510 259 0600

Lancaster, PA

Tel 1 800 648 5313 / 717 299 3396 Fax 717 299 0825

W. Chicago, IL

Tel 630 293 9390 Fax 630 293 9463

Heat and Control, Ltd.

Starlaw Park, Livingston, West Lothian, EH54 8SF Scotland
Tel +44 (0)1506 605555 Fax +44 (0)1506 605599

Heat and Control Pty., Ltd.

407 Creek Road, Mt. Gravatt, 4122 Brisbane, Qld., Australia
Tel +61 (0)7 3877 6333 Fax +61 (0)7 3343 8371

Melbourne, Australia

Tel +61 (0)3 9558 9266 Fax +61 (0)3 9558 9250

Singapore

Tel +65 458 8122 Fax +65 459 3443

www.heatandcontrol.com

© 1997 Heat and Control

HEAT AND CONTROL