

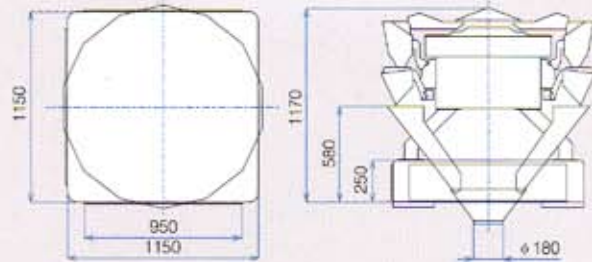
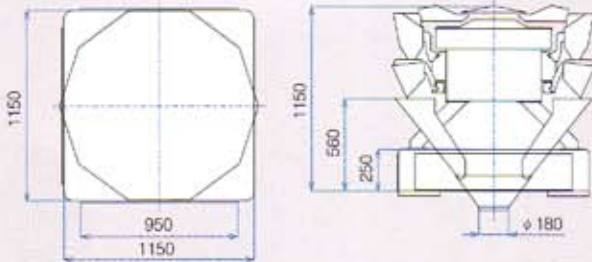
CCW-R Weigher Lineup



CCW-R-210W-S/30



CCW-R-214W-S/30



SPECIFICATIONS

Model	CCW-R-210W-S/20		CCW-R-210W-S/30	
Weighing Capacity/Range (per single dump)	up to 500 g	up to 1,000 g	up to 500 g	up to 1,000 g
Weighing Accuracy (MAX)	$\bar{X} < 0.5\text{g} - 1.0\text{g}$	$\bar{X} < 1.0\text{g} - 2.0\text{g}$	$\bar{X} < 0.5\text{g} - 1.0\text{g}$	$\bar{X} < 1.0\text{g} - 2.0\text{g}$
Maximum Volume for Weighing (per single dump)	3 litres		4.5 litres	
Weighing Speed (Max)	75 WPM		70 WPM	
Minimum Graduation	0.1 g	0.2 g	0.1 g	0.2 g
Touch Screen Display (RCU)	12.1" TFT Color LCD			
Weigh Cell	Double-beam strain gauge load cell			
Number of Presets	200			
Material	Product surfaces are made of stainless steel or other sanitary materials			
Machine Weight	450 kg			
Options	Various options are available - Please contact Ishida distributors			
Structure of Waterproof Machines	IP66 Approval			
Air Consumption (Waterproof models)	110 L/min. (ANR) 0.5 Mpa Air hose -PT3/8" (for air dryer connection) Note : Air compressor must be provided by the end user			

Design and specifications are subject to change without notice.

SPECIFICATIONS

Model	CCW-R-214W-S/20		CCW-R-214W-S/30	
Weighing Capacity/Range (per single dump)	up to 500 g	up to 1,000 g	up to 500 g	up to 1,000 g
Weighing Accuracy (MAX)	$\bar{X} < 0.5\text{g} - 1.0\text{g}$	$\bar{X} < 1.0\text{g} - 2.0\text{g}$	$\bar{X} < 0.5\text{g} - 1.0\text{g}$	$\bar{X} < 1.0\text{g} - 2.0\text{g}$
Maximum Volume for Weighing (per single dump)	3 litres		4.5 litres	
Weighing Speed (Max)	140WPM / 180WPM ^{*1}		130WPM / 180WPM	
Minimum Graduation	0.1 g	0.2 g	0.1 g	0.2 g
Touch Screen Display (RCU)	12.1" TFT Color LCD			
Weigh Cell	Double-beam strain gauge load cell			
Number of Presets	200			
Material	Product surfaces are made of stainless steel or other sanitary materials			
Machine Weight	550 kg			
Options	Various options are available - Please contact Ishida distributors			
Structure of Waterproof Machines	IP66 Approval			
Air Consumption (Waterproof models)	110 L/min. (ANR) 0.5 Mpa Air hose -PT3/8" (for air dryer connection) Note : Air compressor must be provided by the end user			

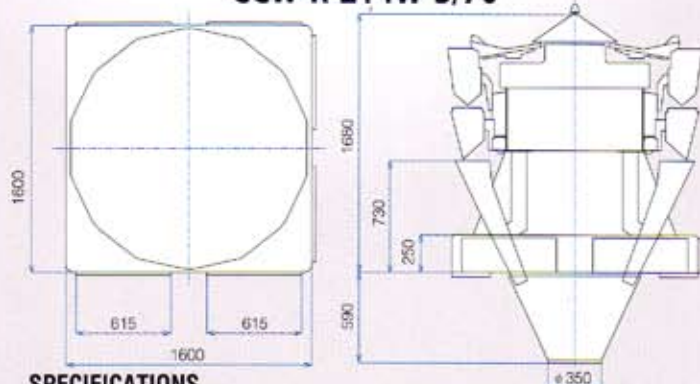
Design and specifications are subject to change without notice.

*1: This is the speed with high speed specification kit.

CCW-R Weigher Lineup



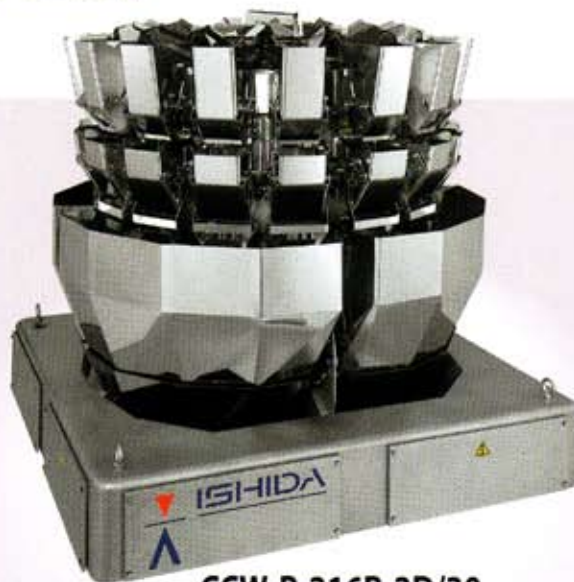
CCW-R-214W-S/70



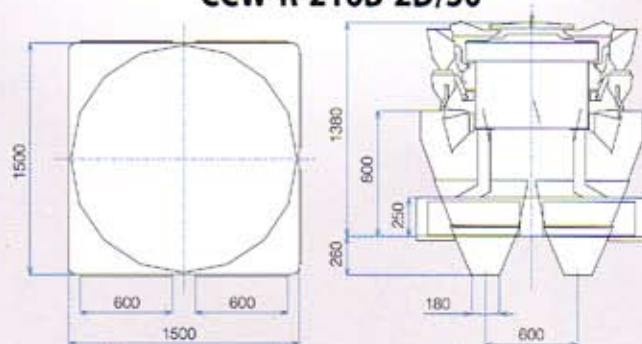
SPECIFICATIONS

Model	CCW-R-214W-S/70	
Weighing Capacity/Range (per single dump)	up to 3,000 g	up to 5,000 g
Weighing Accuracy (MAX)	$\bar{X} < 3.0 \text{ g} - 5.0 \text{ g}$	$\bar{X} < 5.0 \text{ g} - 8.0 \text{ g}$
Maximum Volume for Weighing (per single dump)	17.5 litres	
Weighing Speed (Max)	95 WPM	
Minimum Graduation	0.5 g	1.0 g
Touch Screen Display (RCU)	12.1" TFT Color LCD	
Weigh Cell	Double-beam strain gauge load cell	
Number of Presets	200	
Material	Product surfaces are made of stainless steel or other sanitary materials	
Machine Weight	1,000 kg	
Options	Various options are available - Please contact Ishida distributors	
Structure of Waterproof Machines	IP66 Approval	
Air Consumption (Waterproof models)	110 L/min.(ANR) 0.5 Mpa Air hose -PT3/8" (for air dryer connection) Note : Air compressor must be provided by the end user	

Design and specifications are subject to change without notice.



CCW-R-216B-2D/30



SPECIFICATIONS

Model	CCW-R-216B-2D/20		CCW-R-216B-2D/30	
Weighing Capacity/Range (per single dump)	up to 500 g	up to 1,000 g	up to 500 g	up to 1,000 g
Weighing Accuracy (MAX)	$\bar{X} < 0.5 \text{ g} - 1.0 \text{ g}$	$\bar{X} < 1.0 \text{ g} - 2.0 \text{ g}$	$\bar{X} < 0.5 \text{ g} - 1.0 \text{ g}$	$\bar{X} < 1.0 \text{ g} - 2.0 \text{ g}$
Maximum Volume for Weighing (per single dump)	3 litres		4.5 litres	
Weighing Speed (Max)	240 WPM		220 WPM	
Minimum Graduation	0.1 g	0.2 g	0.1 g	0.2 g
Touch Screen Display (RCU)	12.1" TFT Color LCD			
Weigh Cell	Double-beam strain gauge load cell			
Number of Presets	200			
Material	Product surfaces are made of stainless steel or other sanitary materials			
Machine Weight	750 kg			
Options	Various options are available - Please contact ishida distributors			
Structure of Waterproof Machines	IP66 Approval			
Air Consumption (Waterproof models)	110 L/min.(ANR) 0.5 Mpa Air hose -PT3/8" (for air dryer connection) Note : Air compressor must be provided by the end user			

Design and specifications are subject to change without notice.



ISHIDA CO., LTD.

44 SANNO-CHO, SHOGOIN, SAKYO-KU
KYOTO, 606-8392 JAPAN
PHONE : 81-75-771-4141
FACSIMILE : 81-75-751-1634
URL : <http://www.ishidajapan.com>



HEAT AND CONTROL, INC.

21121 CABOT BLVD.
HAYWARD, CA 94545-1132 USA
PHONE: 1(800)227-5980
1(510)259-0500
FACSIMILE: 1(510)259-0600
www.heatandcontrol.com
info@heatandcontrol.com