

# Soft Flight® Coating Drum



## It all starts here

Every coating drum we manufacture is designed and engineered specifically to your product requirements. Our shell-in-shell drum provides sanitary operation and simple cleaning for snack, meat, dairy, and other process-specific applications.

Variable tilt frame assembly and product flight design exposes each piece of product to the application of liquid and dry coatings.

Custom product flight configuration reduces breakage.

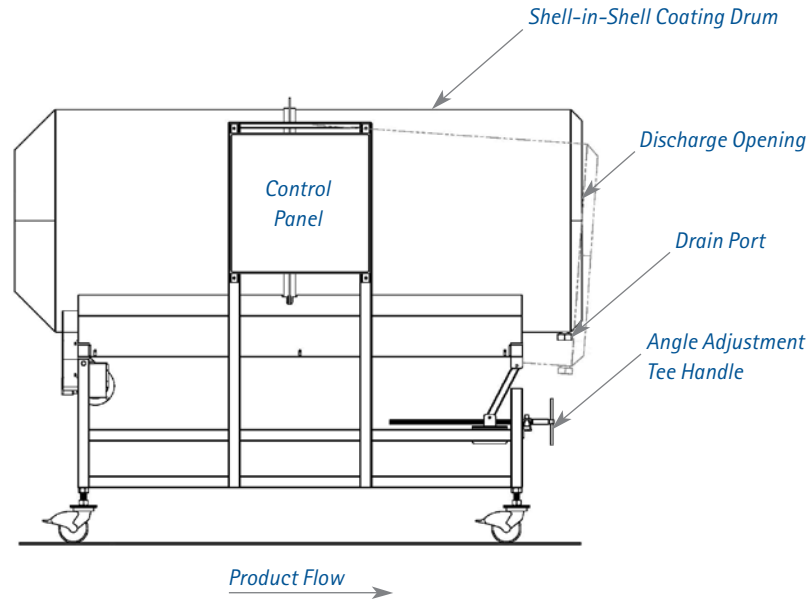
## Standard Features

- 304 stainless steel shell-in-shell cylinder
- Washdown motor assembly with variable speed controller
- Variable tilt stainless steel frame assembly
- NEMA 4 stainless steel control console
- Portable casters with brake assembly

## Options

- Micro V-Belt or chain drive assembly
- 316 stainless steel drum cylinder
- Sanitary drain port at drum discharge
- Mist/dust collection shroud
- Insulated drum
- AC drive motor
- Easy Pull spray bar mount

# Soft Flight® Coating Drum



## Utilities

- 115/220V, 1ph, 60Hz

*Constant improvement and engineering innovations mean these specifications may change without notice.*



*Soft Flight coating drums are available in a variety of sizes and configurations.*



*Optional Easy Pull™ spray bar mount allows safer "tools-free" installation and removal of the spray bar and/or Uni-Spense.*



Heat and Control, Inc. 800 227 5980 [www.heatandcontrol.com](http://www.heatandcontrol.com)  
21121 Cabot Blvd., Hayward, CA 94545

Spray Dynamics 636 629 7366 [www.spraydynamics.com](http://www.spraydynamics.com)  
108 Bolte Lane, St. Clair, MO 63077

©2012 Heat and Control, Inc.