

Slurry Spray System



Clog-Free™ Spray Coating

Spray virtually any pumpable slurry, including sugar, syrup, chocolate, oil, or emulsion.

Engineered for cereal, snack and pet food applications to maximize coverage and minimize waste.

Our Clog-Free spray station design prevents nozzle plugging. Available for use in coating drum and conveyor belt applications.

Standard Features

- 304 stainless steel construction
- Clog-Free spray stations with positive shut-off
- Stand-alone PLC based control console includes product supply pump, washdown motor and regenerative blower with by-pass adjustment

Options

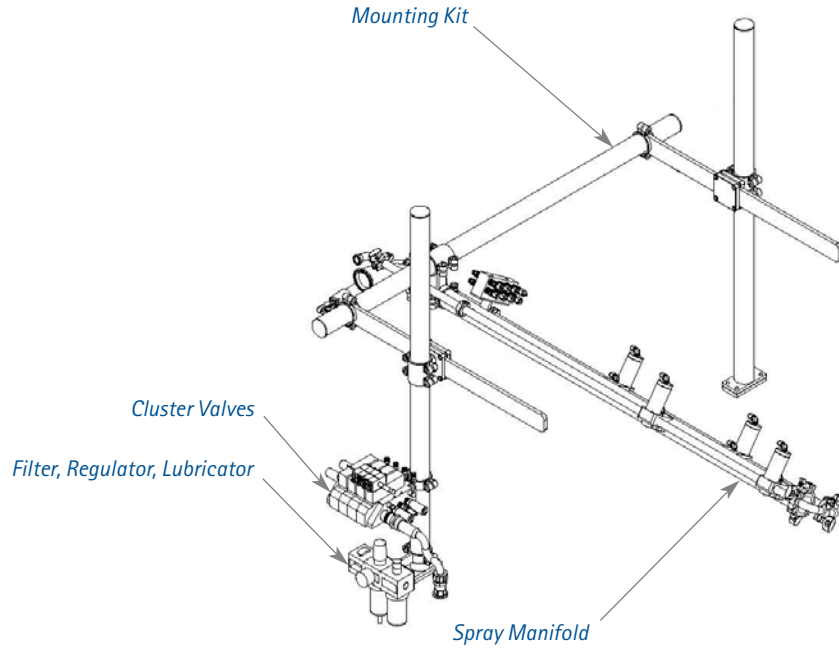
- Hot water/steam jacketed manifold design
- Variable nozzle sizes 1/16" through 7/32"
- Custom tank systems



Clog-Free spray nozzles feature an automatic clean-out pin that can be adjusted for up to 25 pulses per minute to keep the nozzle clear of product pieces.



Slurry Spray System



Complete unit - compact design can be adapted to any coating drum or conveyor system.

Utilities

Typical 4 Station Slurry System

- 25 amps at 230V, 3ph, 60Hz
- Compressed air - 2 scfm at 80 psi

Constant improvement and engineering innovations mean these specifications may change without notice.

