



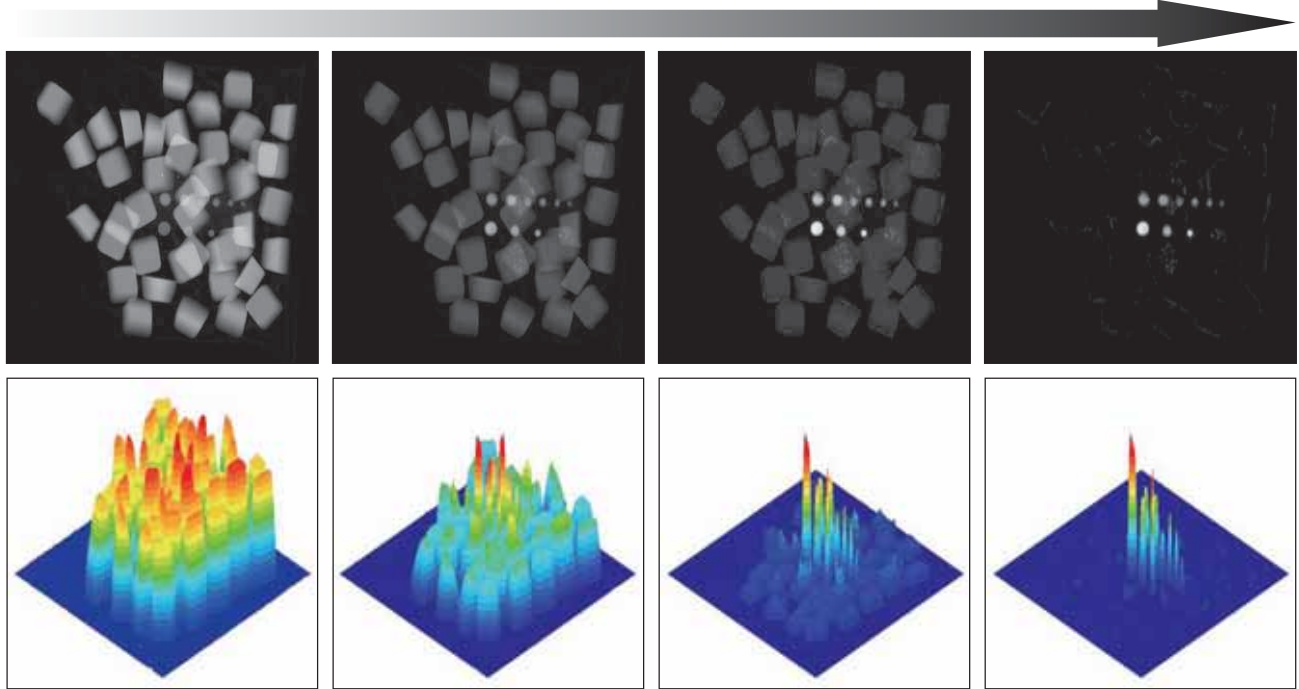
Ishida X-ray Inspection System  
with Dual Energy Sensor

# IX-G2-4027



# Ishida's 2.1 dimensions energy analysis technology achieves superior inspection performance.

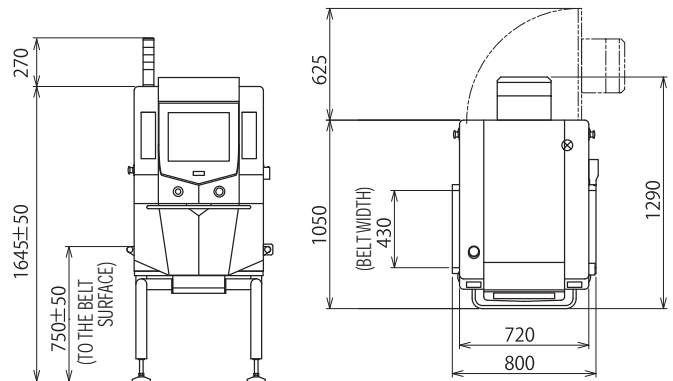
Ishida's latest X-ray inspection system, IX-G2-4027, offers unbeatable detection sensitivity with dual energy sensor for overlapped product, which is difficult for conventional X-ray inspection system.



## Specifications

Model	IX-G2-4027	
X-ray tube voltage	40/45/50/55/60/65/70/75/80/85/90/95/100 kV	
X-ray tube current	1.0 - 5.0 mA	
X-ray protection	Protective curtain (easily detachable)	
X-ray emissions	1 $\mu$ Sv/h or less, including conveyor entrance/exit	
Product configuration	With or without packaging	
Product size range	Length	20 - 450 mm (packed product)
	Width	Up to 400 mm
	Height	Up to 150 mm
Conveyor	Material	FDA approval type urethane belt (white)
	Dimensions	800 mm (L) x 430 mm (W)
	Speed	10 - 60 m/min.
	Conveying weight	MAX 5 kg (over entire length)
Cooling method	Hermetical air cooling	
Power supply	AC200/ 208/ 220/ 230/ 240V, 50/60Hz Voltage variation: +/- 10%	
Protective construction	(Conveyor unit: IP66)	
Operation temperature	0°C - 35°C ambient temperature (with no freezing or rapid temperature shifts)	
Operation humidity	30 - 85%RH (with no condensation)	

## External dimensions (unit: mm)



**ISHIDA CO., LTD.** [www.ishida.com](http://www.ishida.com)

44,SANNO-CHO, SHOGGIN SAKYO-KU, KYOTO 606-8392 JAPAN  
Phone : 81-75-771-4141 Facsimile : 81-75-751-1634