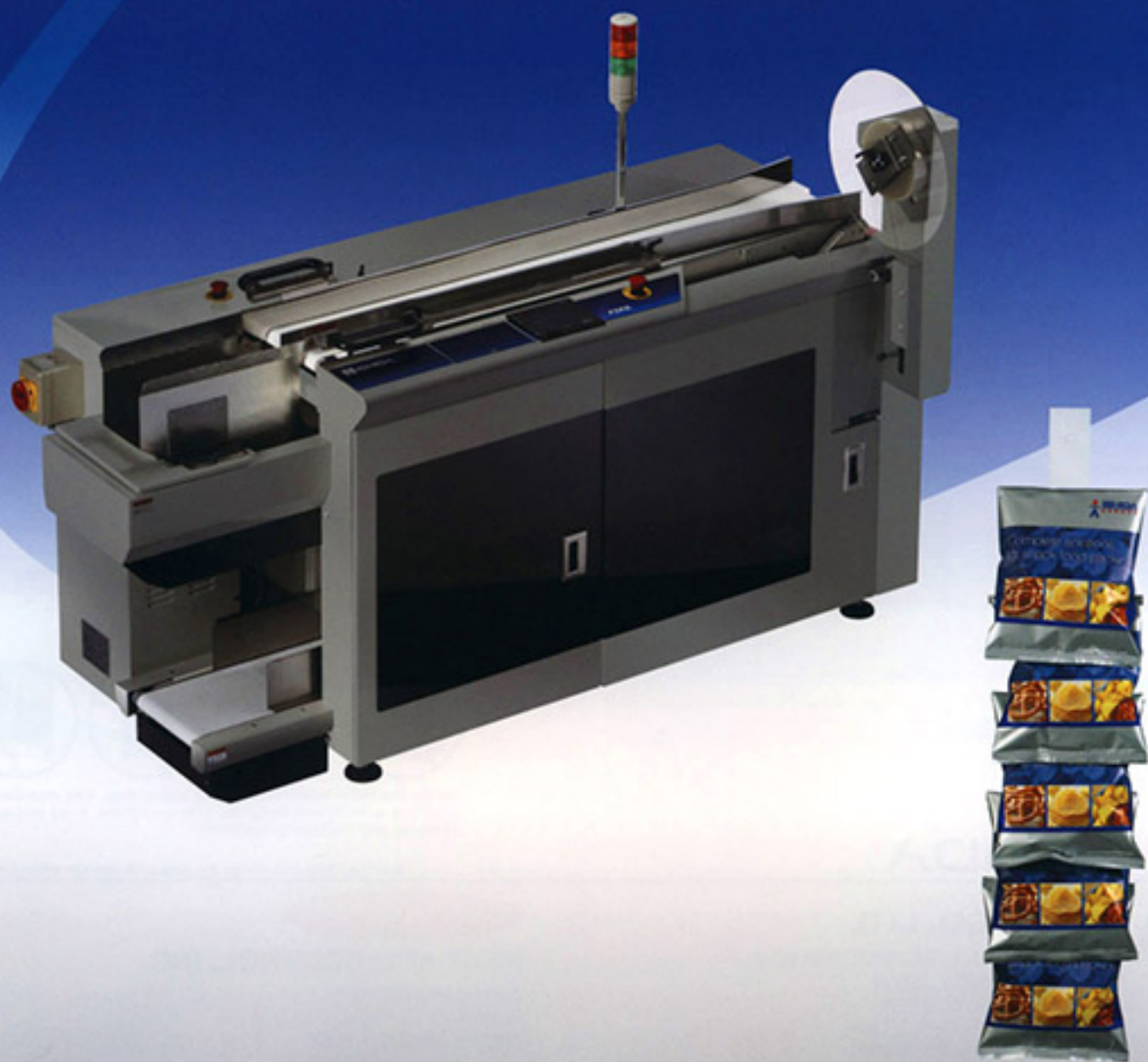


F-SPA

Flexible Strip-Pack Applicator



The F-SPA Flexible Strip-Pack Applicator produces ready-to-display hanging strips of bagged products that promote point-of-purchase sales. The easy-to-operate unit delivers a unique and convenient way for retailers to successfully market your product.

● Full Automation

As part of a fully-automatic packaging line, Strip-Pack easily interfaces to any brand bagmaker, and can significantly reduce production time and labor costs.

● Semi-automatic Operation

Hand-feeding of bags into the system allows mix and match strip packaging of different products of the same bag size.

● Versatility

The number of bags per strip is adjustable up to 600 grams total, and a bag pitch range from 2" to 4" optimizes bag overlap spacing.

● Variety of Strip Materials

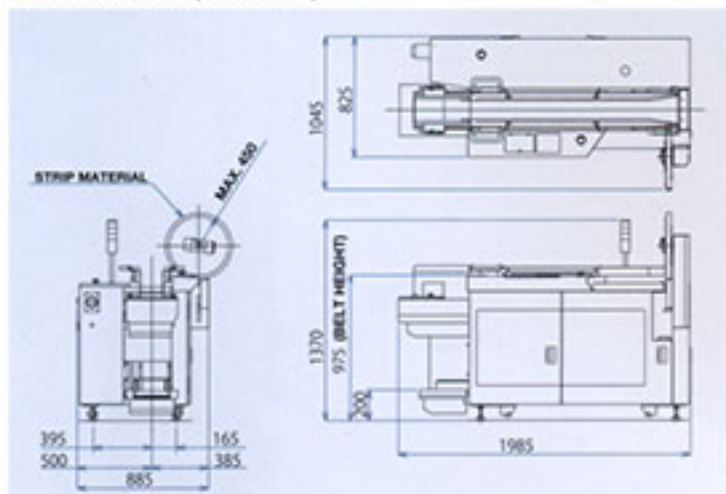
Ishida offers a variety of strip materials to meet different customer requirements. Bag film surfaces are not damaged when a bag is removed from the strip.

● Convenient Machine Access

The conveyor and other machine areas are easy to access for maintenance and troubleshooting.



DIMENSIONS (unit: mm)



SPECIFICATIONS

Model	Flexible-SPA Type-M	Flexible-SPA Type-S
Running Speed	80 BPM* (Mechanical max)	
Bag Width	127mm - 203mm (5" - 8")	50mm - 127mm (2" - 5")
Bag Length	127mm - 280mm (5" - 11")	
Bag Weight	Up to 100g	
Power Supply	208VAC 3 Phase Power consumption 1.3kW 11A 50/60Hz	
Air Consumption	0.5Mpa 80NL/min (Dry air)	
Options	In-line conveyor, Transformer, Incline conveyor	

Design and specifications are subject to change without notice.
* Depends on actual products.



Ishida, the world leader in weighing technology, also manufactures a full line of multihead weighers, checkweighers, X-ray inspection systems, and packaging machines.

Specifications and design are subject to change without notice.

ISHIDA



ISHIDA CO., LTD.

44 SANNO-CHO, SHOGOIN, SAKYO-KU
KYOTO, 606-8392 JAPAN
PHONE: 81-75-771-4141
FACSIMILE: 81-75-751-1634
URL: <http://www.ishida.com>

HEAT AND CONTROL

HEAT AND CONTROL, INC.

21121 CABOT BLVD.
HAYWARD, CA 94545-1132 USA
PHONE: 1(800)227-5980
1(510)259-0500
FACSIMILE: 1(510)259-0600
www.heatandcontrol.com
info@heatandcontrol.com