

HEAT AND CONTROL

®

FastBack® 260E Salad Conveyor



260E conveys heavier loads at faster transfer rates than any comparable conveyor.



Without bruising or damage, 260E conveys hard to move, high volume products other conveyors can't.

Powerful conveying

High volume salad and spring mixes are conveyed cleanly and gently without bruising or damage. No operator adjustments, flexure or variable speed tuning are required.

Fastest travel rate

Two times faster than other horizontal motion conveyors, 260E conveys products at up to 40 ft/min (12 meters/min).

Patented drive

FastBack's patented drive has proven its reliability in hundreds of installations. No preventive maintenance is required. Easily replace drive and motor units without removing the pan or top cover.

Eliminate damage & sticking

Gentle slow-forward fast-back motion safely conveys even the most delicate products without damage and no product sticking or layering in the pan.

Easy cleaning

Product does not build up in the conveyor pan. Full washdown drive for USDA environments.



Quickly reposition or remove the pan without using tools.

Quiet operation

Low 70 dB operation with product complies with stringent government sound regulations.

Simple installation

Pre-wired and plumbed, all electrical and pneumatic controls are mounted in the conveyor base for easy ready-to-run installation.

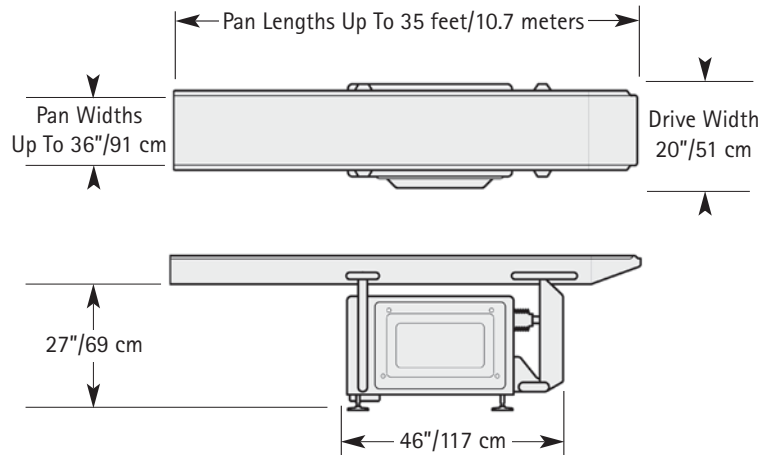
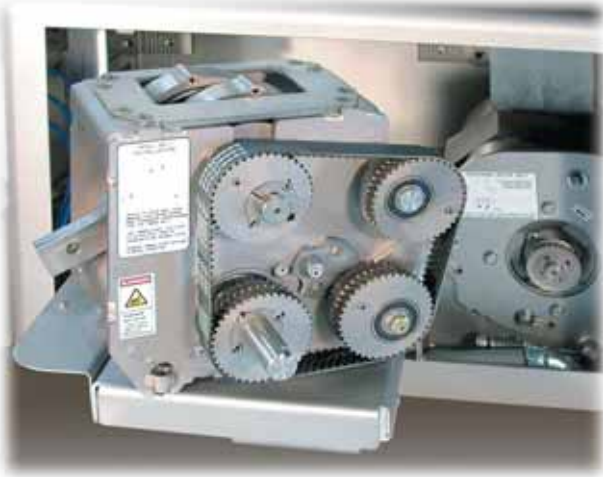


Embossed stainless steel pan provides superior product release without coatings.

FastBack® Salad Conveyor

Model 260E

Single side drive access allows closer conveyor spacing and convenient service of drive modules.



Quickly and easily remove the modular transmission and drive without removing the pan or top cover.

Optional features

- Revolution™ proportional discharge gate
- Special end and mid-gates
- Custom pan configurations
- Fines removal screen sections
- Rapid Deployment™ modular platforms

Custom pan sizes & configurations available.

Dimensions are rounded to the nearest inch/foot & centimeter/meter.

Constant improvement and engineering innovations mean these specifications may change without notice.

Protected by patents granted and pending.

HEAT AND CONTROL

FastBack

Headquarters
21121 Cabot Blvd., Hayward, CA 94545 USA
Tel 1 800 227 5980 / 1 510 259 0500 Fax 1 510 259 0600
Campbellville, Canada
Tel 905 854 5650 Fax 905 854 5653
Guadalajara, Mexico
Tel +52 (33) 3689 1146 Fax +52 (33) 3689 2240
Livingston, Scotland
Tel +44 (0)1506 420420 Fax +44 (0)1506 403919
Brisbane, Australia
Tel +61 (0)7 3877 6333 Fax +61 (0)7 3343 8371
Nanjing, People's Republic of China
Tel +86 257 8403 5000 Fax +86 257 8580 5033
Singapore
Tel +65 6273 6362 Fax +65 6273 8161



Over 30 Offices Worldwide

www.heatandcontrol.com • info@heatandcontrol.com • ©2008 Heat and Control, Inc.