

HEAT AND CONTROL

®

Switchback™ Accumulation Conveyor



1. Product enters the sloped top pan and gently slides into the lower pan. Pans move in opposite directions allowing new product to accumulate behind previously loaded product for first-in first-out operation.
2. Product gradually comes to rest in the lower U-shaped pan. When full, this FastBack stops, allowing product to accumulate in the upper pan.
3. SwitchBack operates as a gentle transfer conveyor when accumulation is not required.

Simple, space-saving design provides temporary storage to maintain a constant supply of product to your package line.

Reduce product breakage

Gentle FastBack[®] horizontal motion and sloped pan configurations eliminate abrupt drops and stops that can damage snacks, frozen meat and poultry products.

Save floor space

Requiring less space than comparable accumulation conveyors, compact SwitchBacks are available for capacities of 30 or 52 cubic feet (0.85 or 1.47 cubic meters).

World's simplest drive

SwitchBack's patent pending design requires no gates, pneumatics, photoeyes or sensors. Proven reliable, the patented FastBack[®] modular belt drive has few moving parts and requires no preventative maintenance. Drive belt, motor and transmission can be quickly replaced without removing the pan or top cover.

Clean conveying

Seasonings and product coatings do not build up on conveyor pans, eliminating mid-shift cleaning downtime.

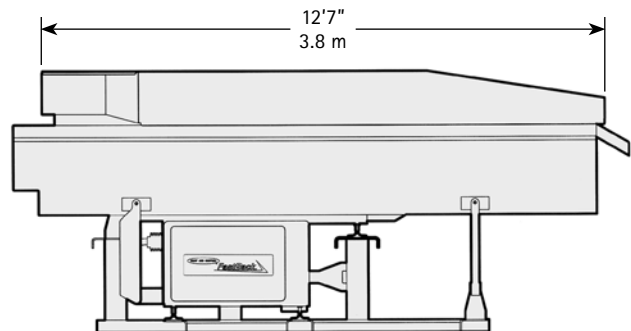
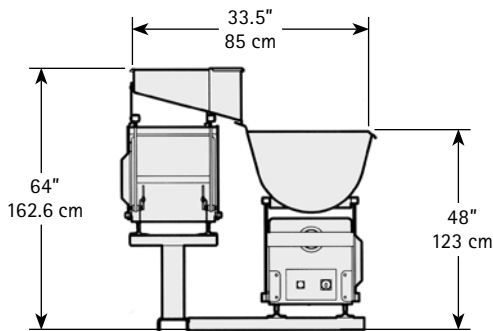


Switchback™ Accumulation Conveyor

Built for wet and dry environments, SwitchBack provides a compact, trouble-free accumulation buffer between processing and packaging.



*Accumulation simplicity:
SwitchBack requires no photoeyes,
gates or pneumatics.*



Dimensions are rounded to the nearest inch/foot and centimeter/meter.

Constant improvement and engineering innovations mean these specifications may change without notice.

HEAT AND CONTROL®



Headquarters
21121 Cabot Blvd., Hayward, CA 94545 USA
Tel 1 800 227 5980 / 1 510 259 0500 Fax 1 510 259 0600
Cambridge, Canada
Tel 519 623 1100 Fax 519 623 1052
Guadalajara, Mexico
Tel +52 (33) 3689 1146 Fax +52 (33) 3689 2240
Livingston, Scotland
Tel +44 (0)1506 420420 Fax +44 (0)1506 403919
Brisbane, Australia
Tel +61 (0)7 3877 6333 Fax +61 (0)7 3343 8371
Nanjing, People's Republic of China
Tel +86 25 8403 5000 Fax +86 25 8580 5033
Singapore
Tel +65 6844 6853 Fax +65 6841 2359

Over 30 Offices Worldwide

www.heatandcontrol.com • info@heatandcontrol.com • ©2013 Heat and Control, Inc.